

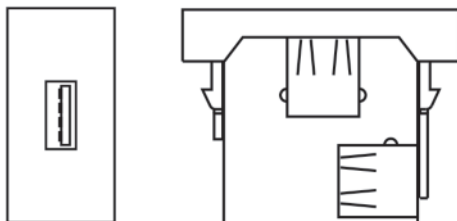
EN

WP-47U

CONNECTION PANELS: FEMALE USB A CONNECTOR

FONESTAR

CE



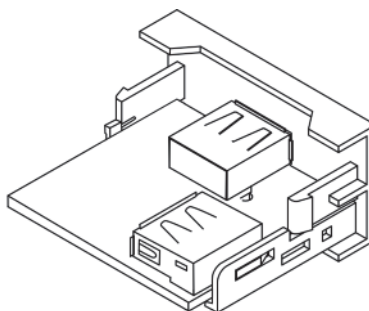
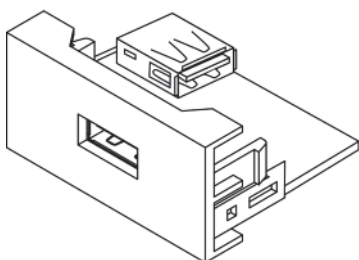
DESCRIPTION

The **WP-47U** connection panel has been designed for use in audiovisual installations, classrooms, conference rooms, etc. As it is a modular connection panel system, it can be installed easily thanks to the rest of the components in the **WP series** such as the surface boxes, frames, chassis and blank lids.

FONESTAR has the widest range of connectors available to cover all your installation needs.



INSTALLATION



WARRANTY: 2 years against manufacturing defects, accompanied by proof of purchase. Post-purchase damage or breakage is not covered.

FONESTAR is a member of ECOEMBALAJES ESPAÑA, S.A. "ECOEMBES", with number 03497 and all our products carry the symbol, backed by our membership and subscription to the above mentioned organization with the recycling and subsequent management of our packaging.



FONESTAR, S.A. - NIF A28780443 - Apartado 191 - 39080 - Santander, Cantabria (Spain)
www.fonestar.com