

• In view of the weak signal connection in actual applications, we have developed sockets that cover most of the signal interfaces for this part of special needs. This series of products adopts standard D-type installation dimensions and provides solid chassis protection, to ensure durability. For some special needs under severe conditions, the product can be equipped with protective gaskets to achieve up to IP54/IP65 protection levels.



Widely used in computer-based signal transmission

Date connector



SO2-4FDW



SAUSB-W



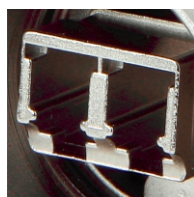
SAHDMI-W-B

SO2-4FDW

- The product is built on the basis of traditional LC and can be directly matched with traditional LC terminals
 - The product is a through-type design, which is convenient for transfer
 - Achieve waterproof and dustproof effects with protective gaskets
 - Dual-channel, compatible with single-mode and multi-mode
- Standard D-type installation size, widely applicable

SAHDMI-W

- The product is an audio or video transmission interface, which is widely used in digital TV and computer video transmission, including high-definition video (high-definition TV)
- The product is a standard HDMI1.3 conversion connector, both ends are 19-pin design
- Provide freely selectable ground shielding
- Standard D-type installation size provides great convenience for engineering use



Compatible with single-mode and multi-mode

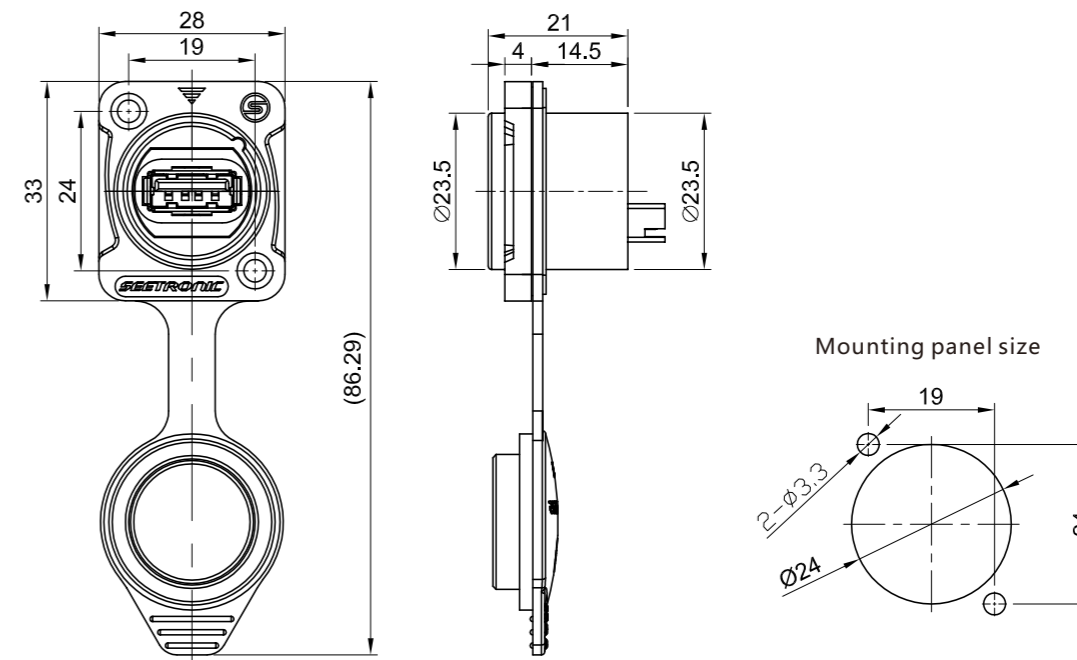


Waterproof and dustproof



SAHDMI-W-B (back)

Profile Dimension Diagram



Product Order Information

Ordering Information

MAUSB-W	Waterproof USB socket, pearl chrome plated on surface
SAUSB-W	USB feedthrough converter, A to B, nickel plated on surface
SAHDMI-W-B	HDMI feedthrough converter(19 pins), black plated on surface
SAHDMI-W	HDMI feedthrough converter(19 pins), nickel plated on surface

Ordering Information

SO2-4FDW-B	Dual-channel LC fiber optical converter. black plated on surface
SO2-4FDW	Dual-channel LC fiber optical converter. nickel plated on surface
SCCMCDF-01	Type-C female to female connector)