

# Power Connector



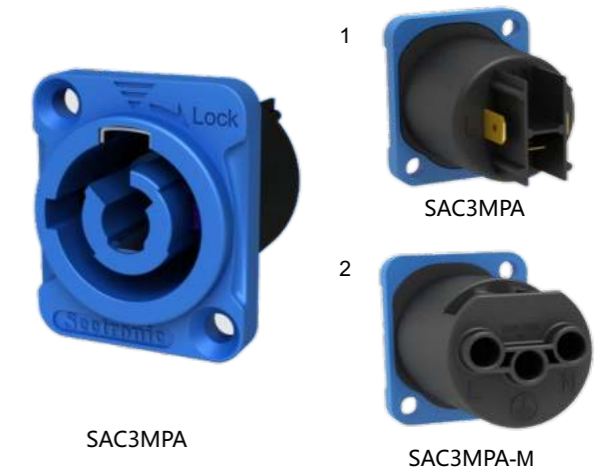
SAC3FCA

SAC3FCB

- Lockable 3-pole device(AC) connector, with contacts for linear, neutral and pre-adapted safety grounding
- High current capacity, rated 20A/250V AC
- Fast and easy locking system, the keys are firm and do not fall off
- Passed UL safety certification (certification number: E359036)
- Passed VDE certification (certification number: 40044166)

- Lockable 3-pole device(AC) connector, with contacts for linear, neutral and pre-adapted safety grounding
- High current capacity, rated 20A/250V AC
- Fast and easy locking system, the keys are firm and do not fall off
- Passed UL safety certification (certification number: E359036)
- Passed VDE certification (certification number: 40044166)

- 1: Wiring mode: screw clamping, welding
- 2: Wiring mode: screw lock wire



SAC3MPA

SAC3MPA-M



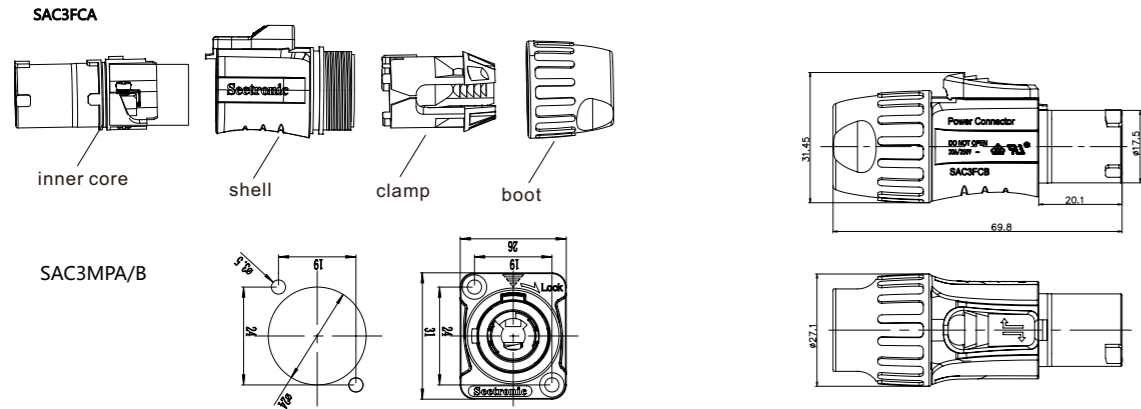
SAC3MPB

SAC3MPB-M

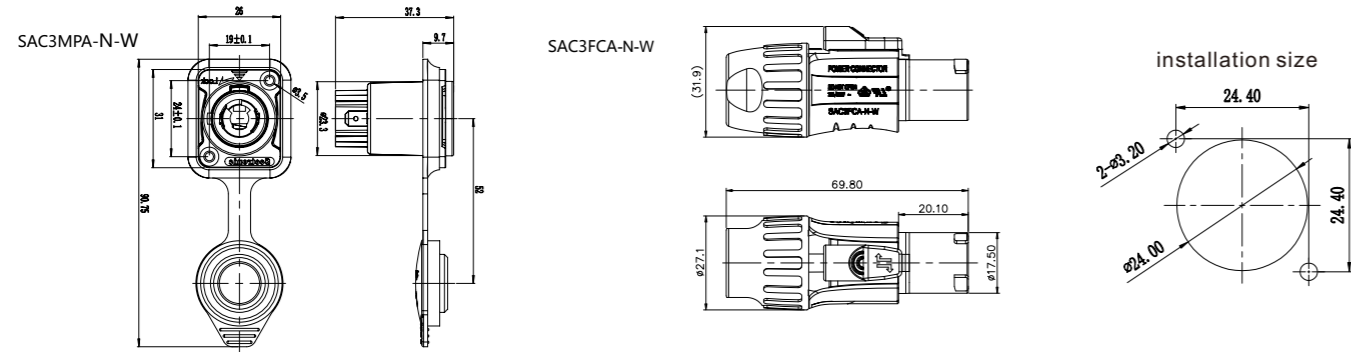
- Lockable 3-pole device(AC) connector, with contacts for linear, neutral and pre-adapted safety grounding
- High current capacity, rated 20A/250V AC
- Fast and easy locking system, the keys are firm and do not fall off
- Passed UL safety certification (certification number: E359036)
- Passed VDE certification (certification number: 40044166)

- 1: Wiring mode: screw clamping, welding
- 2: Wiring mode: screw lock wire

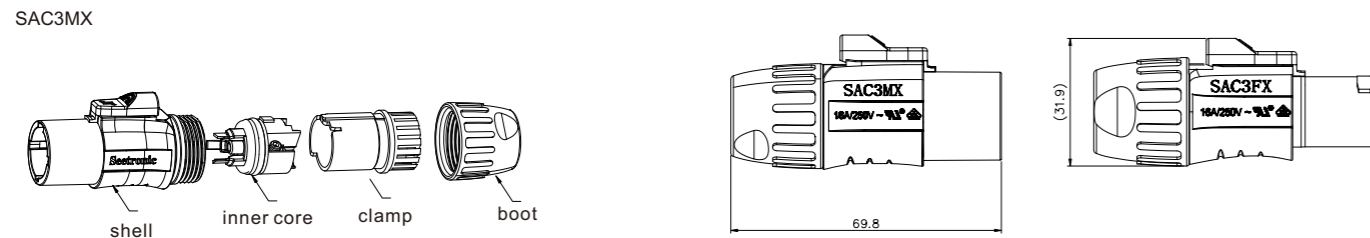
Profile Dimension Diagram



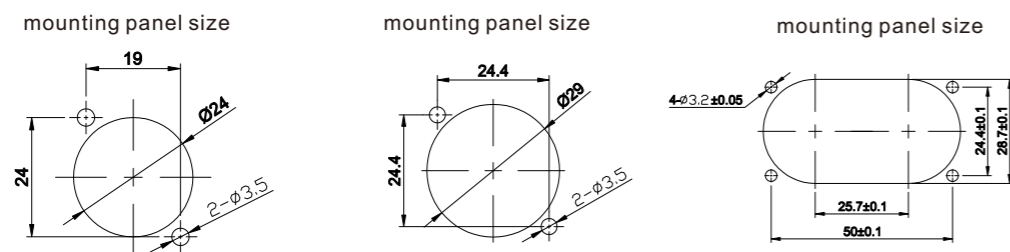
Profile Dimension Diagram



Profile Dimension Diagram



Profile Dimension Diagram



Product docking diagram



Product docking diagram



Product docking diagram



Product docking diagram

