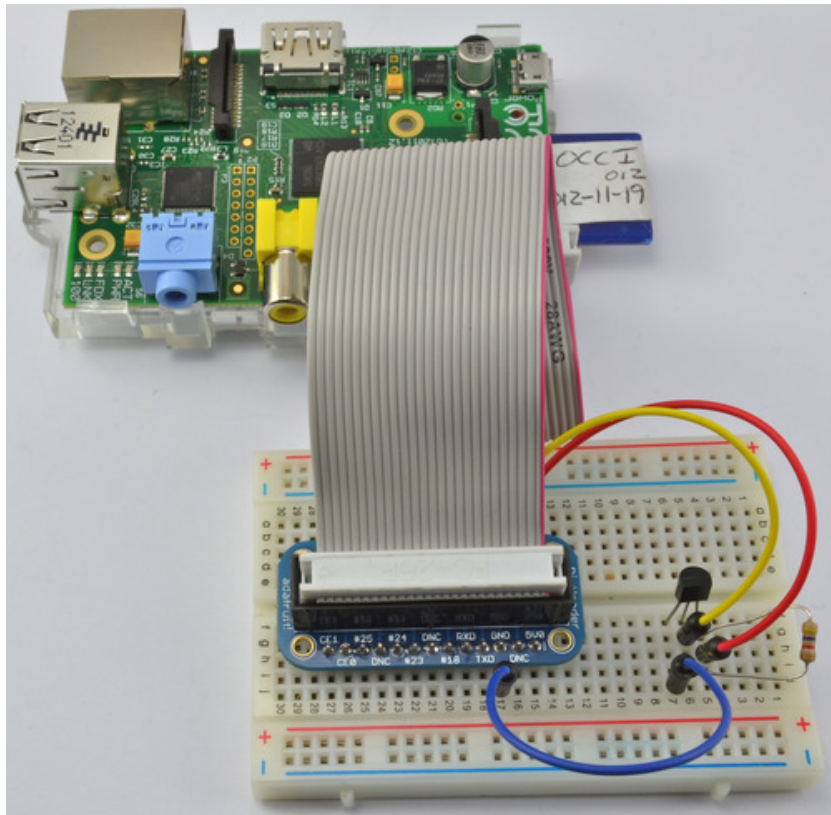


# Adafruit's Raspberry Pi Lesson 11. DS18B20 Temperature Sensing

Created by Simon Monk



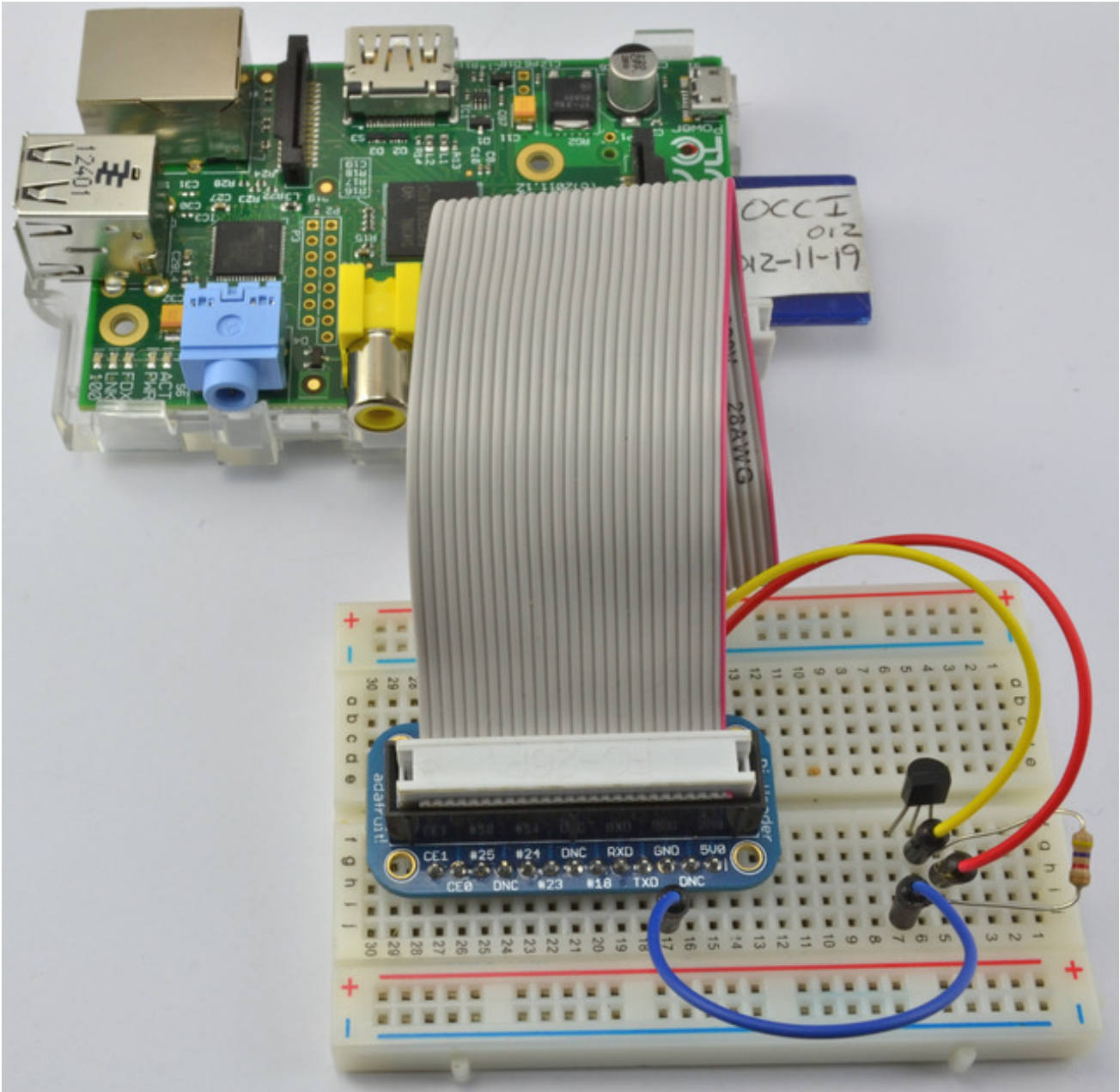
Last updated on 2014-05-07 06:00:11 PM EDT

## Guide Contents

Guide Contents	2
Overview	3
Other Code Libraries	4
Parts	5
Hardware	8
DS18B20	12
Software	14
Configure and Test	17
Adding more sensors	17

# Overview

The Occidentalis Linux distribution for Raspberry Pi (and Raspbian as of Dec 2012) includes support for the DS18B20 1-wire temperature sensor. These sensors come in a small three pin package like a transistor and are accurate digital devices.



In this lesson, you will learn how to use a DS18B20 with the Raspberry Pi to take temperature readings.

Since the Raspberry Pi has no ADC (Analog to Digital Converter), it cannot directly use an analog temperature sensor like the TMP36, making the DS18B20 a good choice for temperature sensing.

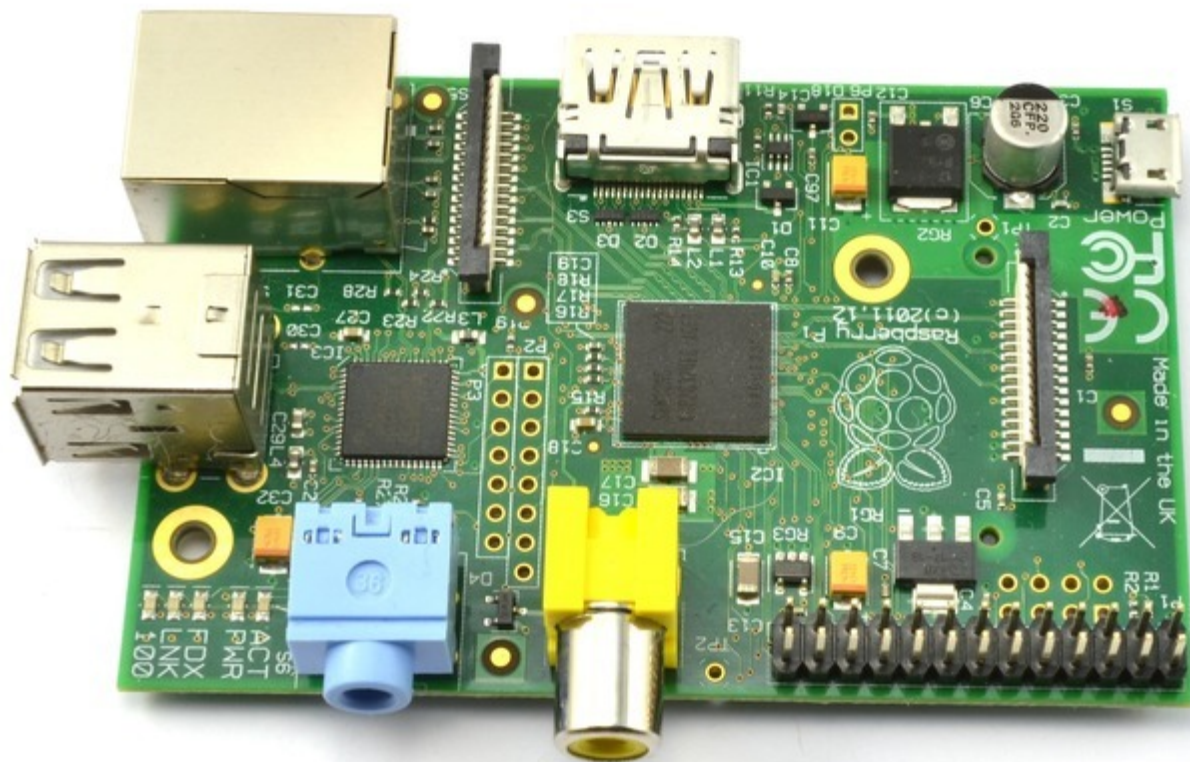
## Other Code Libraries

---

If you are a python-fancier, there's also a nice DS18B20 library that works with raspberry pi over at <https://github.com/timofurrer/ds18b20> (<http://adafru.it/dpK>) (written by Timo!)

# Parts

To build the project described in this lesson, you will need the following parts.



Raspberry Pi

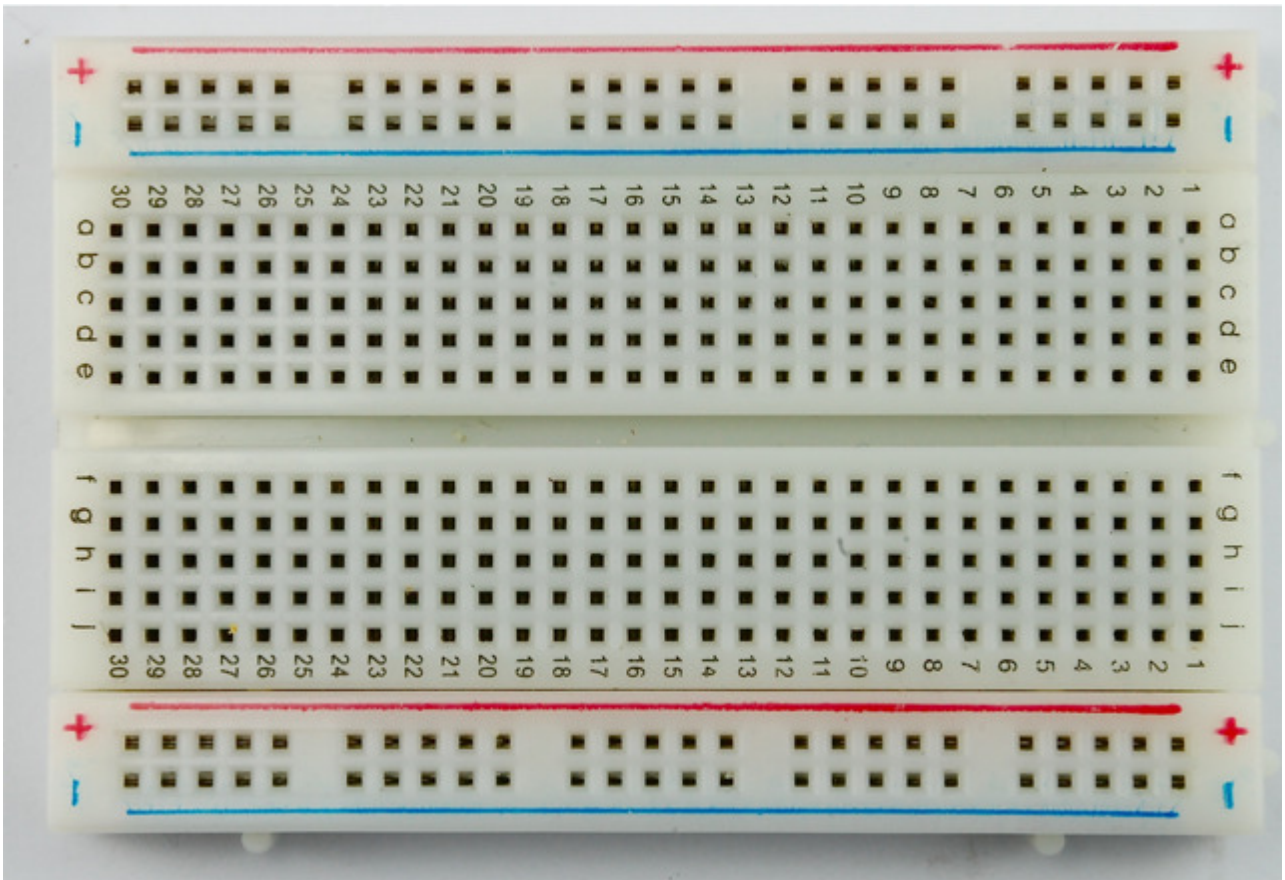






DS18B20 Digital temperature sensor + extras, or waterproof or high temperature versions (see products sidebar)

You'll also need a 4.7K or 10K ohm resistor, it comes with the sensor when purchased from Adafruit



Half-sized breadboard





Jumper wire pack



Pi Cobbler

# Hardware

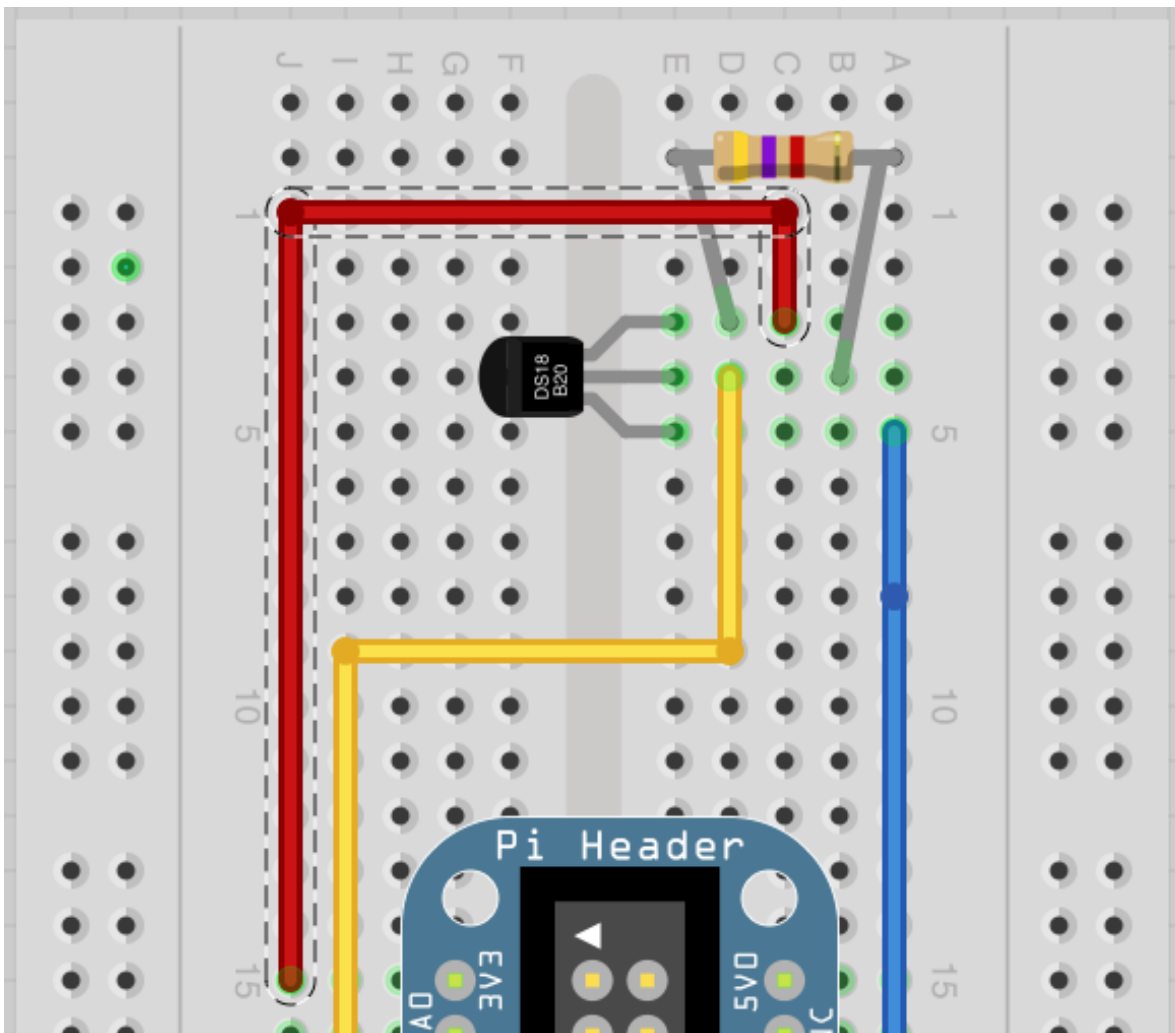
The breadboard layout for just the basic DS18B20 is shown below.

**The DS18B20 "1-wire" sensors can be connected in parallel - unlike nearly any other sensor sold! All sensors should share the same pins, but you only need one 4.7K resistor for all of them**

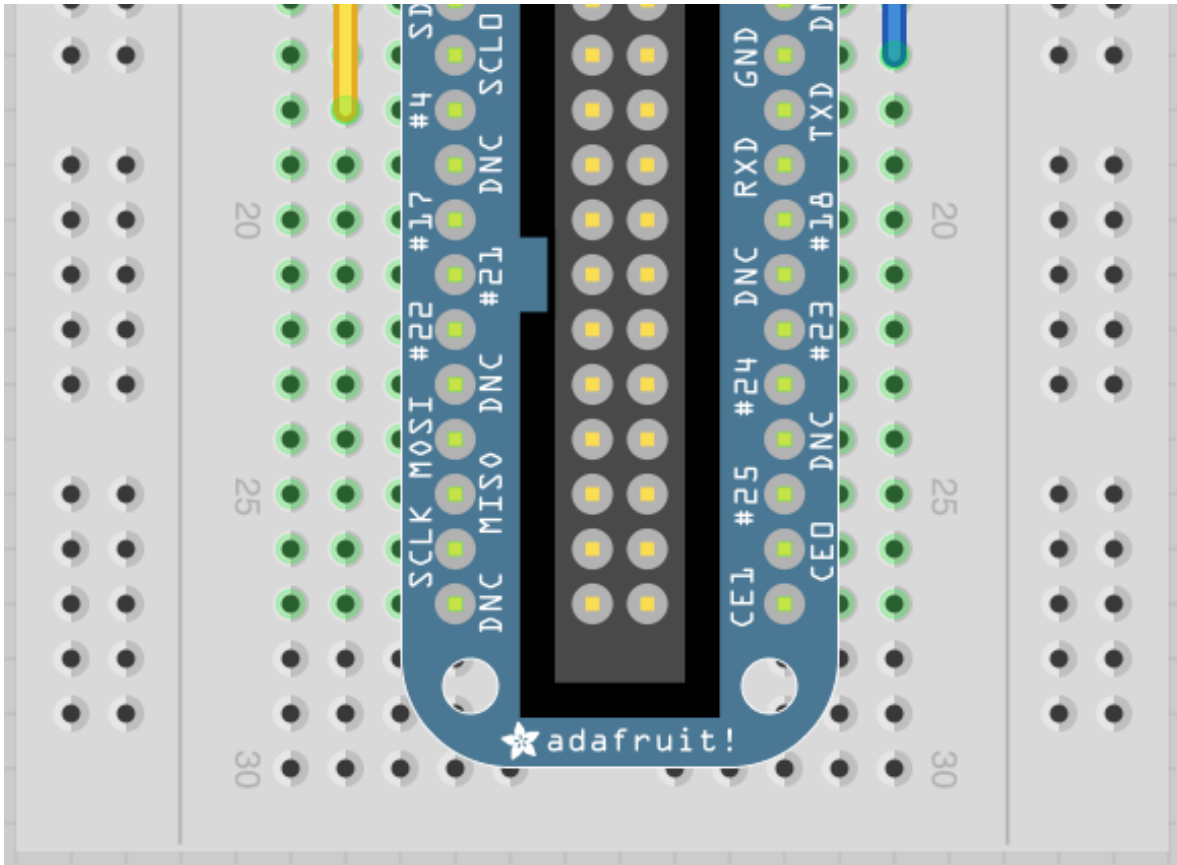
The resistor is used as a 'pullup' for the data-line, and is required to keep the data transfer stable and happy

Be careful to get the DS18B20 the right way around. The curved edge should be to the left as shown in the figure below. If you put it the wrong way around, it will get hot and then break.

Despite both being temperature sensors, the DS18B20+ is totally different than the TMP36. You cannot use a TMP36 for this tutorial!



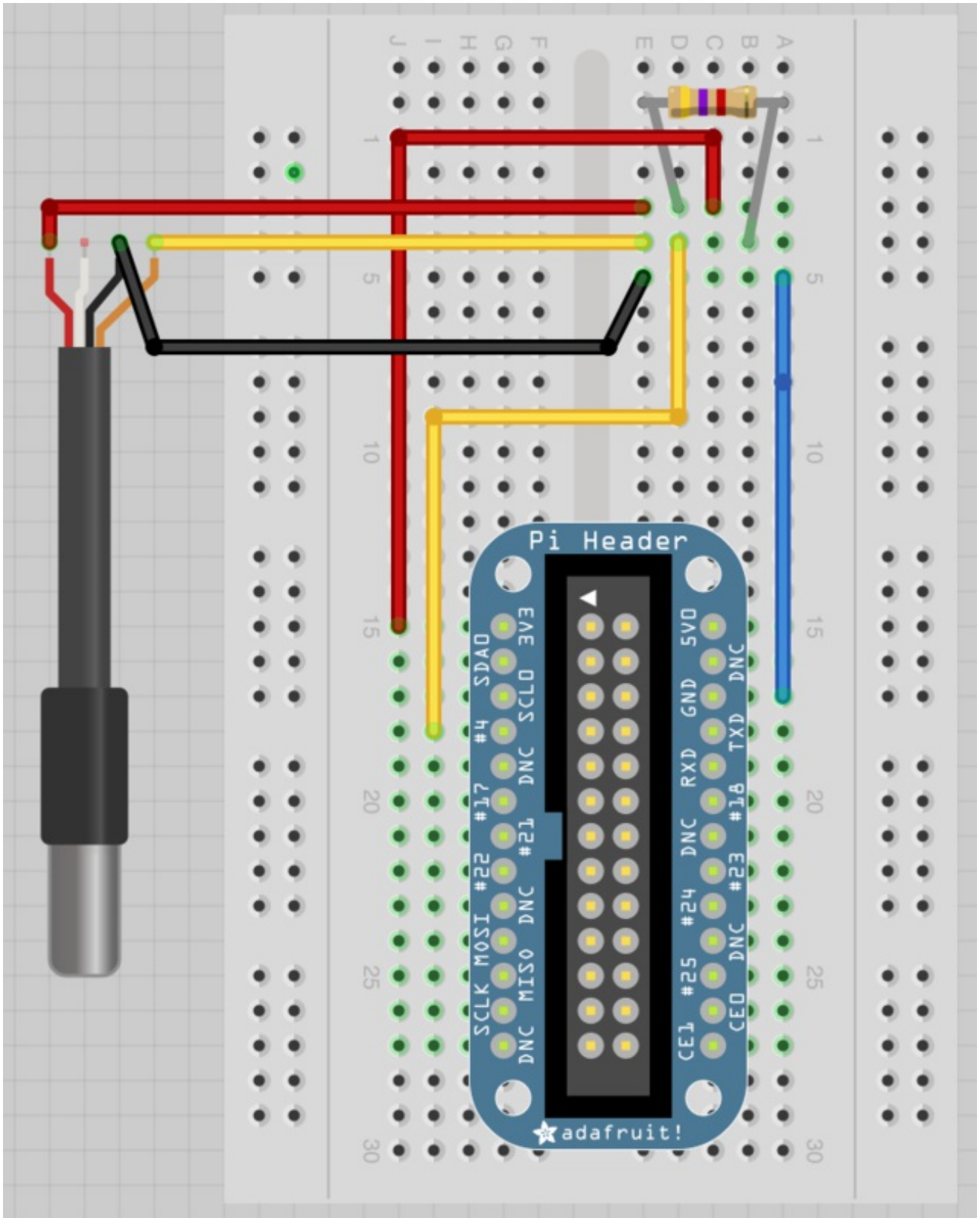


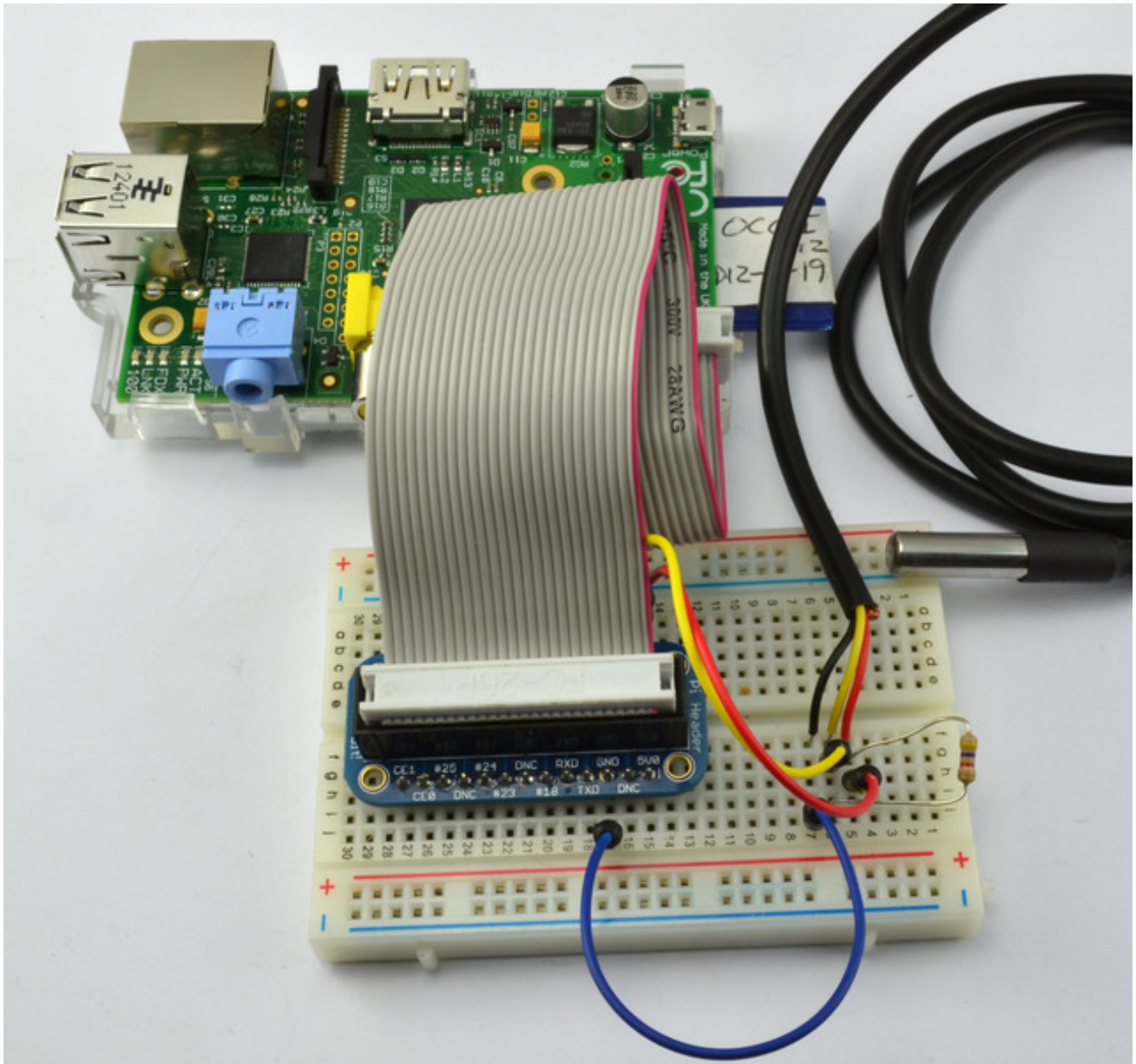


If you are using the waterproof version of the DS18B20 then the device has three leads, red, black and yellow. The bare copper screening lead that does not need to be connected.

If you are using the "high temperature" version of the DS18B20 we sell, connect Orange Stripe to 3.3V, White connects to ground and Blue Stripe is data, pin #4.

You still need a ~4.7K-10K resistor from data to 3.3V





# DS18B20

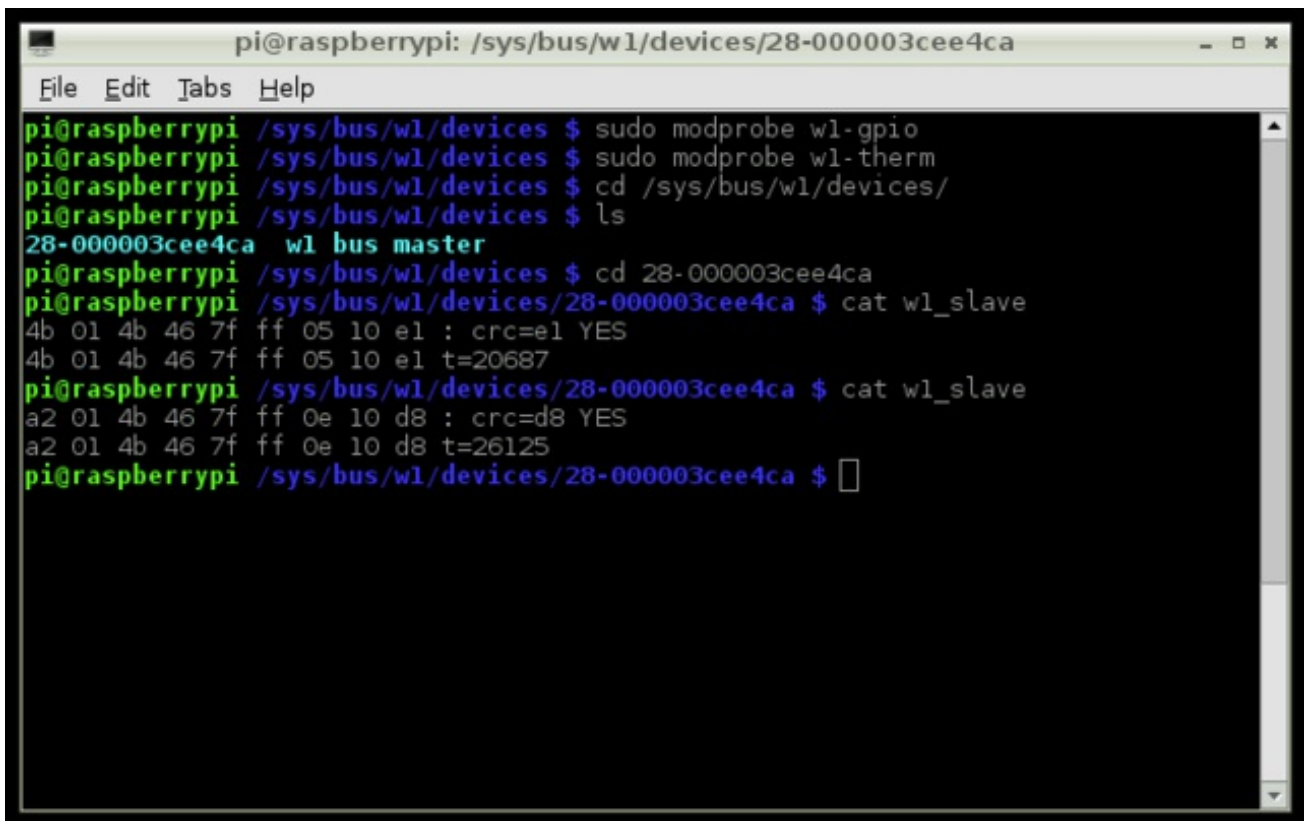
Although the DS18B20 just looks like a regular transistor, there is actually quite a lot going on inside.

The chip includes the special 1-wire serial interface as well as control logic and the temperature sensor itself.

Its output pin sends digital messages and Raspbian/Occidentalis includes an interface to read those messages. You can experiment with the device from the command line or over SSH (see [Lesson 6 \(http://adafru.it/aWc\)](http://adafru.it/aWc)), before we run the full program.

Type the commands you see below into a terminal window. When you are in the 'devices' directory, the directory starting '28-' may have a different name, so cd to the name of whatever directory is there.

```
sudo modprobe w1-gpio
sudo modprobe w1-therm
cd /sys/bus/w1/devices
ls
cd 28-xxxx (change this to match what serial number pops up)
cat w1_slave
```



```
pi@raspberrypi: /sys/bus/w1/devices/28-000003cee4ca
File Edit Tabs Help
pi@raspberrypi /sys/bus/w1/devices $ sudo modprobe w1-gpio
pi@raspberrypi /sys/bus/w1/devices $ sudo modprobe w1-therm
pi@raspberrypi /sys/bus/w1/devices $ cd /sys/bus/w1/devices/
pi@raspberrypi /sys/bus/w1/devices $ ls
28-000003cee4ca w1 bus master
pi@raspberrypi /sys/bus/w1/devices $ cd 28-000003cee4ca
pi@raspberrypi /sys/bus/w1/devices/28-000003cee4ca $ cat w1_slave
4b 01 4b 46 7f ff 05 10 e1 : crc=e1 YES
4b 01 4b 46 7f ff 05 10 e1 t=20687
pi@raspberrypi /sys/bus/w1/devices/28-000003cee4ca $ cat w1_slave
a2 01 4b 46 7f ff 0e 10 d8 : crc=d8 YES
a2 01 4b 46 7f ff 0e 10 d8 t=26125
pi@raspberrypi /sys/bus/w1/devices/28-000003cee4ca $
```

The interface is a little unreliable, but fortunately it tells us if there is a valid temperature to read. It's like a file, so all we have to do is read

The response will either have YES or NO at the end of the first line. If it is yes, then the temperature will be at the end of the second line, in 1/000 degrees C. So, in the example above, the temperature is actually read as 20.687 and then 26.125 degrees C.

If you have more than one Sensor connected, you'll see multiple **28-xxx** files. Each one will have the unique serial number so you may want to plug one in at a time, look at what file is created, and label the sensor!



# Software

The Python program deals with any failed messages and reports the temperature in degrees C and F every second.

```
import os
import glob
import time

os.system('modprobe w1-gpio')
os.system('modprobe w1-therm')

base_dir = '/sys/bus/w1/devices/'
device_folder = glob.glob(base_dir + '28*')[0]
device_file = device_folder + '/w1_slave'

def read_temp_raw():
    f = open(device_file, 'r')
    lines = f.readlines()
    f.close()
    return lines

def read_temp():
    lines = read_temp_raw()
    while lines[0].strip()[-3:] != 'YES':
        time.sleep(0.2)
        lines = read_temp_raw()
    equals_pos = lines[1].find('t=')
    if equals_pos != -1:
        temp_string = lines[1][equals_pos+2:]
        temp_c = float(temp_string) / 1000.0
        temp_f = temp_c * 9.0 / 5.0 + 32.0
        return temp_c, temp_f

while True:
    print(read_temp())
    time.sleep(1)
```

The program starts by issuing the 'modprobe' commands that are needed to start the interface running.

The next three lines, find the file from which the messages can be read.

A problem has been reported with occasional hangs when reading the temperature file when using Raspbian. If you find you have the same problem, try replacing the function

read\_temp\_raw with the code below. You will also need to add a line at the top of the file 'import subprocess'.

```
def read_temp_raw():
    catdata = subprocess.Popen(['cat',device_file], stdout=subprocess.PIPE, stderr=subprocess.PIPE)
    out,err = catdata.communicate()
    out_decode = out.decode('utf-8')
    lines = out_decode.split('\n')
    return lines
```

Reading the temperature takes place in two functions, read\_temp\_raw just fetches the two lines of the message from the interface. The read\_temp function wraps this up checking for bad messages and retrying until it gets a message with 'YES' on end of the first line. The function returns two values, the first being the temperature in degrees C and the second in degree F.

You could if you wished separate these two as shown in the example below:

```
deg_c, deg_f = read_temp()
```

The main loop of the program simply loops, reading the temperature and printing it, before sleeping for a second.

To upload the program onto your Raspberry Pi, you can use [SSH to connect to the Pi](#), start an editor window using the line:

```
nano thermometer.py
```

and then paste the code above, before saving the file with CTRL-x and Y.

```
pi@raspberrypi: ~ -- ssh -- 80x24
pi@raspberrypi: ~ -- ssh  ec2-user@d...0A-01-EB:~
GNU nano 2.2.6 File: thermometer.py Modified

def read_temp_raw():
    f = open(device_file, 'r')
    lines = f.readlines()
    f.close()
    return lines

def read_temp():
    lines = read_temp_raw()
    while lines[0].strip()[-3:] != 'YES':
        time.sleep(0.2)
        lines = read_temp_raw()
    equals_pos = lines[1].find('t=')
    if equals_pos != -1:
        temp_string = lines[1][equals_pos+2:]
        temp_c = float(temp_string) / 1000.0
        temp_f = temp_c * 9.0 / 5.0 + 32.0
    return temp_c, temp_f

^G Get Help ^O WriteOut ^R Read File ^Y Prev Page ^K Cut Text ^C Cur Pos
^X Exit ^J Justify ^W Where Is ^V Next Page ^U UnCut Text ^T To Spell
```

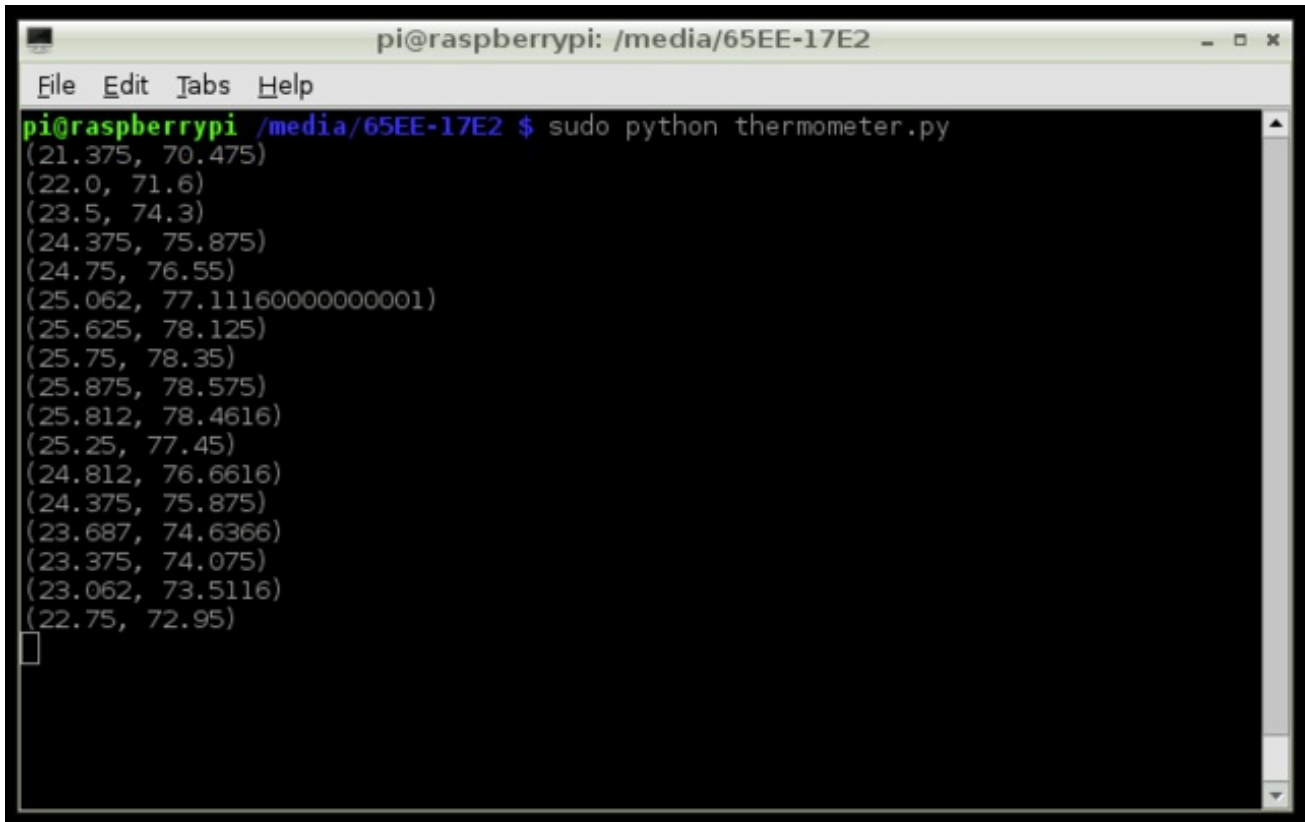
## Configure and Test

---

The program must be run as super user, so type the following command into the terminal to start it:

```
sudo python thermometer.py
```

If all is well, you will see a series of readings like this:

A terminal window titled 'pi@raspberrypi: /media/65EE-17E2' showing the execution of 'sudo python thermometer.py'. The output consists of a series of coordinate pairs (temperature, humidity) printed on separate lines. The values fluctuate, with temperature ranging from approximately 21.375 to 25.875 and humidity from 70.475 to 78.575. The terminal window includes a menu bar with 'File', 'Edit', 'Tabs', and 'Help' options.

```
pi@raspberrypi /media/65EE-17E2 $ sudo python thermometer.py
(21.375, 70.475)
(22.0, 71.6)
(23.5, 74.3)
(24.375, 75.875)
(24.75, 76.55)
(25.062, 77.111600000000001)
(25.625, 78.125)
(25.75, 78.35)
(25.875, 78.575)
(25.812, 78.4616)
(25.25, 77.45)
(24.812, 76.6616)
(24.375, 75.875)
(23.687, 74.6366)
(23.375, 74.075)
(23.062, 73.5116)
(22.75, 72.95)

```

Try putting your finger over the sensor to warm it up.

## Adding more sensors

---

You can add additional DS18B20 sensors in parallel - connect all the sensors' VCC, data and ground pins together. Use a single 4.7K resistor. You will see multiple **/sys/bus/w1/devices/28-nnnnn** directories, each one having the unique serial number as the directory name. The python example code only works for one sensor right now so you will have to adapt it if you want it to read from different sensors at once