

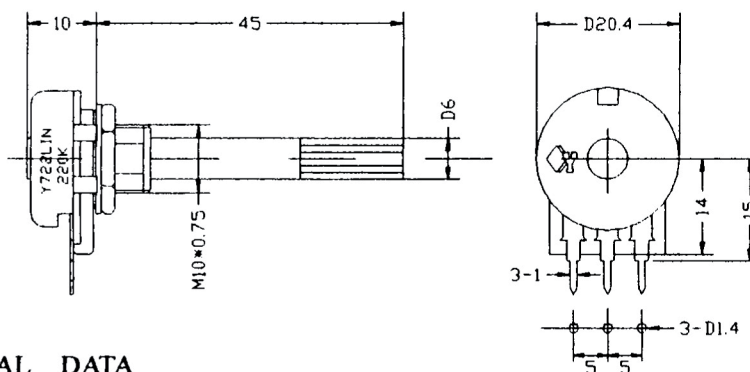
DATA SHEET OF POTENTIOMETER (MONO TYPE)



Y722 SERIES

RESISTANCE TOLERANCE

±20%	for	values	100 Ω	to	470k Ω
±30%	for	values	1M Ω	to	10M Ω



TECHNICAL DATA

Rated power at 40°C	Lin 0.25W	Log 0.125W
Range of nominal resistance	Lin 100 Ω ~ 10M Ω	Log 100 Ω ~ 10M Ω
Max. Voltage	Lin 250V	Log 125V
Residual resistance	100 Ω Max.	
Electrical angle	270° ±5°	
Mechanical angle	310° ±5°	
Torque	5mN.m ~ 25mN.m	
Temperature range	-25°C ~ +70°C	
Rotation life	10000 cycles	

STANDARD RESISTANCE TABLE

Y722 Lin		Y722 Log	
ART.2 / 1200	470 Ω	ART.2 / 1305	1.0K
ART.2 / 1205	1.0K	ART.2 / 1310	2.0K
ART.2 / 1210	2.2K	ART.2 / 1315	4.7K
ART.2 / 1215	4.7K	ART.2 / 1320	10K
ART.2 / 1220	10K	ART.2 / 1325	22K
ART.2 / 1225	22K	ART.2 / 1330	47K
ART.2 / 1230	47k	ART.2 / 1335	100K
ART.2 / 1235	100k	ART.2 / 1340	220K
ART.2 / 1240	220k	ART.2 / 1345	470K
ART.2 / 1245	470k	ART.2 / 1350	1.0M
ART.2 / 1250	1.0M		
ART.2 / 1255	2.2M		
ART.2 / 1260	4.7M		