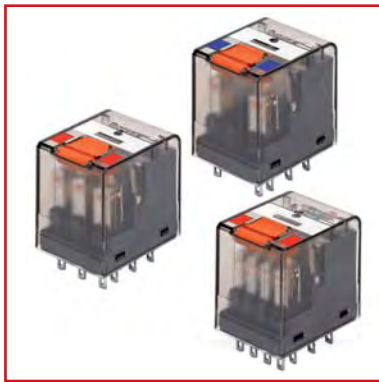


MINIATURE RELAYS PT

MINIATURE RELAYS PT

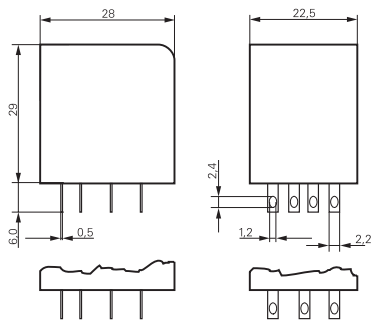


SCHRACK-INFO

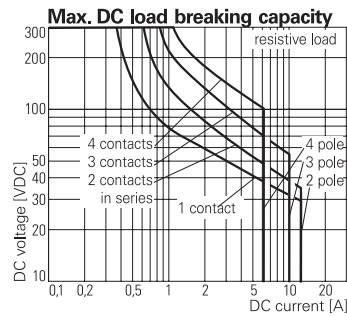
- 2 pole 12 A, 3 pole 10 A or 4 pole 6 A
- 2, 3 or 4 CO contacts
- DC- or AC-coil
- Switching performance up to 3000 VA
- Relay height 29 mm
- Cadmium free contact material
- Mechanical indicator, optional LED and protection diode
- Manual test tab, optionally lockable
- White marking tabs

DIMENSIONS (mm)

Solder- and plug-in terminals (standard version)



BREAKING CAPACITY



APPROVALS

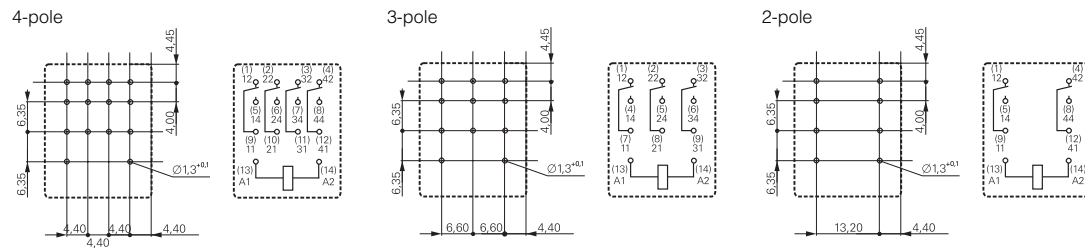


CIRCUIT DIAGRAMS

LED protection diode+LED



PCB LAYOUT / TERMINAL ASSIGNMENT



PRODUCT KEY

Type	P	T				
Contact configuration	<ul style="list-style-type: none"> 2 2 C/O contacts 3 3 C/O contacts 5 4 C/O contacts 					
Contact material	<ul style="list-style-type: none"> 7 AgNi 90/10, with test button*) 8 AgNi 90/10, gold plated, with test button*) 					
Version	<ul style="list-style-type: none"> 0 standard, AMP 2.8 1 PCB terminals 					
Coil	Coil code: please refer to coil versions table, preferred types in bold print					

*) Version with closed cap without test button available on request.
Other types on request.

MINIATURE RELAYS PT

TECHNICAL DATA

CONTACT DATA		PT2	PT3	PT5
Contact configuration		2 CO contacts	3 CO contacts	4 CO contacts
Contact set		single contact		
Type of interruption		micro disconnection		
Rated current		12 A	10 A	6 A
Rated voltage / maximum switching voltage AC		240/400 VAC	240/400 VAC	240/240 VAC
Max. breaking capacity		3000 VA	2500 VA	1500 VA
Limiting making capacity, max. 20 ms		24 A	20 A	12 A
Contact material		AgNi90/10, AgNi90/10 gold plated		
Minimal contact load		12V/10mA, 20mV/1mA gold plated		
COIL DATA				
Rated coil voltage	DC-coil	6...220 VDC		
	AC-coil	6...230 VAC		
Rated power	DC-coil	0,75 mW		
	AC-coil	1,0 VA		
Operate / release voltage, coil resistance at 23°C ambient temperature	24 VDC-coil	18 V / 2,4 V / 777 Ω ± 10%		
	24 VDC-coil	19,2 V / 7,2 V / 192 Ω ± 10%		
	230 VAC-coil	184 V / 69 V / 19465 Ω ± 10%		

Further technical data on www.schrack.at

CONTACTS	COIL	CONTACT MATERIAL	TYPE	AVAILABLE	STORE	ORDER NO.
2 CO, 12A	24V DC	AgNi 90/10	SREL-SL-2-UKE-M1-024G-12			PT270024
2 CO, 12A	48V DC	AgNi 90/10	SREL-SL-2-UKE-M1-048G-12			PT270048
2 CO, 12A	110V DC	AgNi 90/10	SREL-SL-2-UKE-M1-110G-12			PT270110
2 CO, 12A	24V AC	AgNi 90/10	SREL-SL-2-UKE-M1-024W-12			PT270524
2 CO, 12A	230V AC	AgNi 90/10	SREL-SL-2-UKE-M1-230W-12			PT270730
3 CO, 10A	24V DC	AgNi 90/10	SREL-SL-3-UKE-M1-024G-10			PT370024
3 CO, 10A	24V AC	AgNi 90/10	SREL-SL-3-UKE-M1-024W-10			PT370524
3 CO, 10A	230V AC	AgNi 90/10	SREL-SL-3-UKE-M1-230W-10			PT370730
4 CO, 6A	6V DC	AgNi 90/10	SREL-SL-4-UKE-M1-006G-06			PT570006
4 CO, 6A	12V DC	AgNi 90/10	SREL-SL-4-UKE-M1-012G-06			PT570012
4 CO, 6A	24V DC	AgNi 90/10	SREL-SL-4-UKE-M1-024G-06			PT570024
4 CO, 6A	48V DC	AgNi 90/10	SREL-SL-4-UKE-M1-048G-06			PT570048
4 CO, 6A	60V DC	AgNi 90/10	SREL-SL-4-UKE-M1-060G-06			PT570060
4 CO, 6A	110V DC	AgNi 90/10	SREL-SL-4-UKE-M1-110G-06			PT570110
4 CO, 6A	220V DC	AgNi 90/10	SREL-SL-4-UKE-M1-220G-06			PT570220
4 CO, 6A	6V AC	AgNi 90/10	SREL-SL-4-UKE-M1-006W-06			PT570506
4 CO, 6A	12V AC	AgNi 90/10	SREL-SL-4-UKE-M1-012W-06			PT570512
4 CO, 6A	24V AC	AgNi 90/10	SREL-SL-4-UKE-M1-024W-06			PT570524
4 CO, 6A	48V AC	AgNi 90/10	SREL-SL-4-UKE-M1-048W-06			PT570548
4 CO, 6A	60V AC	AgNi 90/10	SREL-SL-4-UKE-M1-060W-06			PT570560
4 CO, 6A	115V AC	AgNi 90/10	SREL-SL-4-UKE-M1-115W-06			PT570615
4 CO, 6A	230V AC	AgNi 90/10	SREL-SL-4-UKE-M1-230W-06			PT570730
4 CO, 6A, with LED	24V DC	AgNi 90/10	SREL-SL-4-UKE-M1-024G-06			PT570L24
4 CO, 6A, with LED	220V DC	AgNi 90/10	SREL-SL-4-UKE-M1-220G-06			PT570N20
4 CO, 6A, with LED	24V AC	AgNi 90/10	SREL-SL-4-UKE-M1-024W-06			PT570R24
4 CO, 6A, with LED	230V AC	AgNi 90/10	SREL-SL-4-UKE-M1-230W-06			PT570T30
4 CO, 6A, gold plated	12V DC	AgNi 90/10 gp	SREL-SL-4-UKE-M1-012G-06			PT580012
4 CO, 6A, gold plated	24V DC	AgNi 90/10 gp	SREL-SL-4-UKE-M1-024G-05			PT580024
4 CO, 6A, gold plated	110V DC	AgNi 90/10 gp	SREL-SL-4-UKE-M1-110G-05			PT580110
4 CO, 6A, gold plated	220V DC	AgNi 90/10 gp	SREL-SL-4-UKE-M1-220G-05			PT580220
4 CO, 6A, gold plated	24V AC	AgNi 90/10 gp	SREL-SL-4-UKE-M1-024W-05			PT580524
4 CO, 6A, gold plated	115V AC	AgNi 90/10 gp	SREL-SL-4-UKE-M1-115W-05			PT580615
4 CO, 6A, gold plated	230V AC	AgNi 90/10 gp	SREL-SL-4-UKE-M1-230W-05			PT580730
4 CO, 6A, gold plated, with LED	24V DC	AgNi 90/10 gp	SREL-SL-4-UKE-M1-024G-05			PT580L24
4 CO, 6A, gold plated, with LED	230V AC	AgNi 90/10 gp	SREL-SL-4-UKE-M1-230W-06			PT580T30

/ **Order No. blue:** Stored goods, usually ready for delivery on day of order! Additional opportunity to pick up goods at every Schrack store!