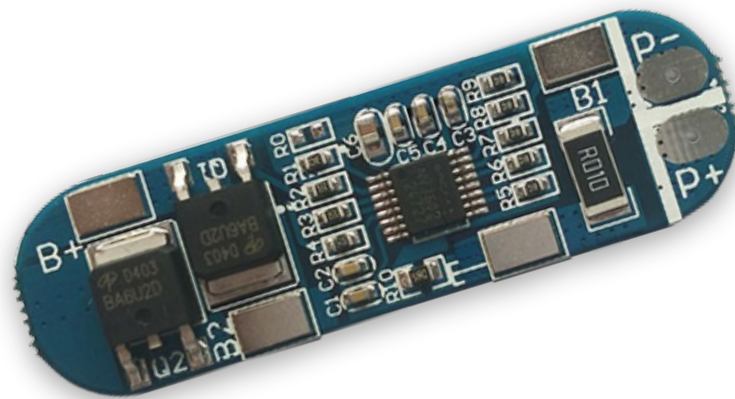




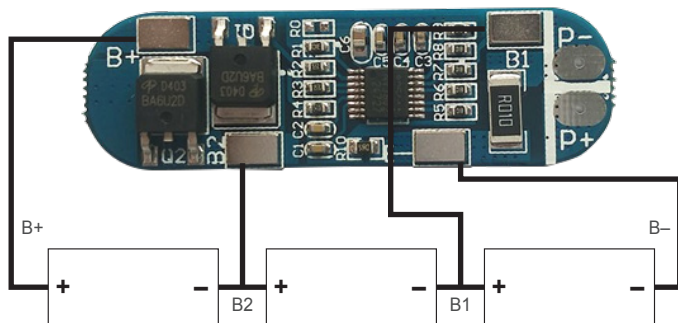
PCM-3S-10A • Li-ion/Li-Polymer Battery Packs



PCM-3S-10A • Li-ion/Li-Polymer Battery Packs

For 3s (11,1V) Li-ion/Li-Polymer Battery Packs

| NO. | Item | Specifications | |
|-----|---------------------------|--|---------------------------------|
| 1 | Model | PCM-3S-10A | 3S-10A working currentt |
| 2 | Voltage | Charging voltage | 12.6V |
| 3 | Current | Maximal continuous charging current | 5A |
| | | Maximal continuous discharging current | 10A (15A pulse) |
| | | Current consumption | ≤6μ A |
| 4 | Overcharge Protection | Over charge detection voltage | 4.10±0.025V |
| | | Over charge detection delay time | 0.5S—2S |
| | | Over charge release voltage | 4.10±0.05V |
| 5 | Over Discharge Protection | Over discharge detection voltage | 2.9±0.05V |
| | | Over discharge detection delay time | 50mS—200mS |
| | | Over discharge release voltage | 2.60±0.01V |
| 6 | Over Current Protection | Over current detection voltage | 0.10±0.20V |
| | | Over current detection current | 10±1A (10±5 pulse) |
| | | Detection delay time | 5ms - 20ms |
| | | Release condition | Cut load |
| 7 | Short Circuit Protection | Detection condition | External short circuit |
| | | Detection delay time | 200-500us |
| | | Release condition | Cut load, automatically recover |
| 8 | Balance | Balance voltage for single cell | 4.10±0.025V |
| | | Balance current for single cell | 84mA±10mA |
| 9 | Resistance | Inner resistance | ≤60mΩ |
| 10 | Temperature | Operating temperature range | 40 ~ +50°C |
| | | Storage temperature range | -40 ~ +80°C |
| 11 | Size (L*W*T) | 53.0mm*16mm*4mm | |



Remarks:

Charge, Discharge at same Port
P+=B+/Charge+/Discharge+
P-=Charge-/Discharge-