

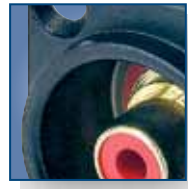


Gold plated contacts



Soft-touch surface

Profi



Phono socket

Profi® RCA Series



NF2C-B2

Phono Socket



NF2D-4

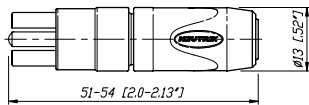


NF2D-B-6

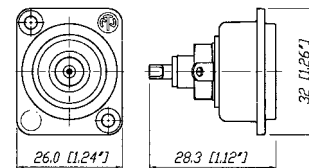
- Makes ground before signal contact and breaks signal before ground
- No more disturbing noise and broken speaker cones
- Precisely machined to our demanding quality standards
- Neutrik unique chuck type strain relief
- Gold plated contacts
- Sleek barrel with soft touch surface and coloured shrink sleeve
- Improved ground solder lug for ease soldering

- Precisely machined to our demanding quality standards
- Gold plated contacts

NF2C-B2



NF2D-*



*: available in 9 colors see page 63

Specification		Profi®	Phono Socket
---------------	--	--------	--------------

Electrical

Rated current per contact	16 A rms continuous	●	●
Rated insulation voltage	50 V ac	●	●
Insulation resistance		> 100 GΩ	< 5 GΩ
Dielectric strength		1.5 kV dc	0.5 kV dc
Capacitance (pin to shell)		7 pf	9 pf

Mechanical

Life time (mating cycles)	> 2000	●	●
Cable O.D. range	3.0 – 7.3 mm	●	-
Wiring	soldering	●	●
Max. wire size	2.5 mm ² / 14 AWG	●	-
Cable anchoring	Neutrik® chuck type strain relief	●	-

Material

Housing	Brass (CuZn39Pb3)	●	-
	Zinc diecast (ZnAlCu1)	-	●
Insert	PBTP 20% GR	●	-
Contacts	Brass (CuZn39Pb3)	●	●
Contact plating	5 μm Au plated over 5 μm Ni	●	●
Chuck	Polyacetal (POM)	●	-

Environment

Temperature range	-30 °C to +80 °C	●	●
Protection class	IP 40	●	●
Flammability	UL 94 HB	●	●
Solderability	complies with IEC 68-2-20	●	●

Ordering Information

Phono Profi®

NF2C-B2	Professional "phono Plug" (RCA or CINCH type), two plugs with red and black coding, two strain relief chucks for a second cable diameter
---------	--

Phono (RCA) Socket

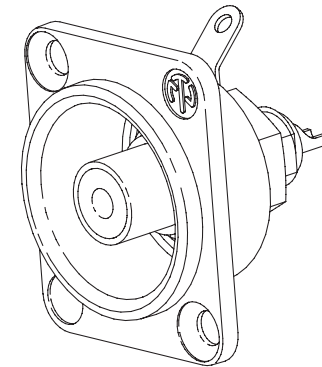
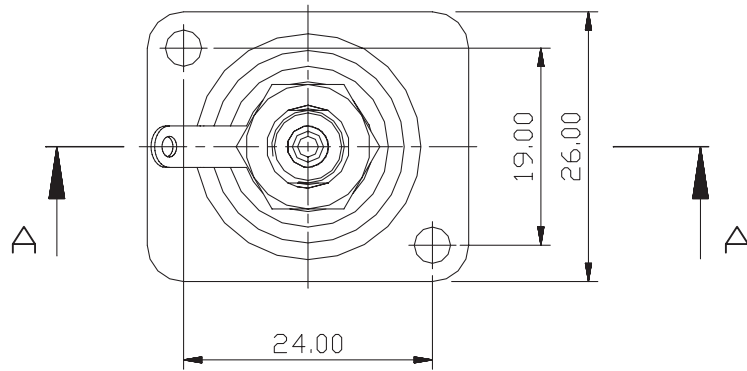
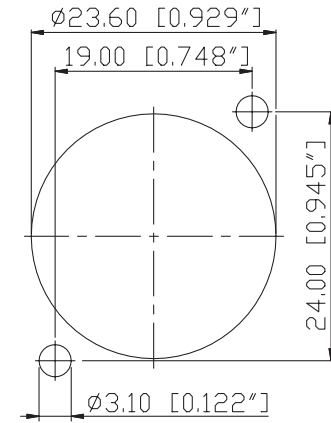
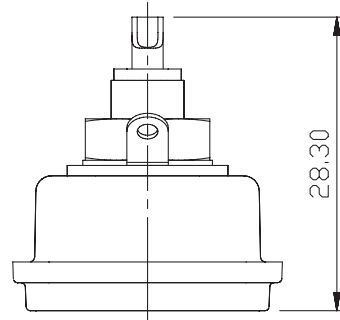
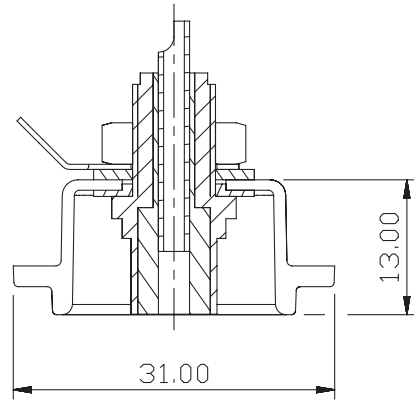
NF2D-*	Chassis Phono (RCA) socket in D Shape housing
NF2D-B-*	Chassis Phono (RCA) socket in black D Shape housing
* color coding: 0 - Black, 1 - Brown, 2 - Red, 3 - Orange, 4 - Yellow, 5 - Green, 6 - Blue, 7 - Violet, 8 - Grey, 9 - White	

Accessories

NDP	Dummy plug for phone socket
NZP1RU-8	Panel 1RU housing with 8 D-shape cutouts
NZP1RU-12	Panel 1RU housing with 12 D-shape cutouts
SCL	Plastic sealing cover to protect the connector sockets against dust and moisture
SCDP-*	D-Size sealing gaskets, colour coding (*: 0- black, 2- red, 4- yellow, 5- green, 6- blue, 9- white)
SCDX	Hinged cover seals D-size chassis connectors, IP 54 rated
SCCD-W	Spring-loaded cover to seals D-size chassis connectors, IP 65 rated

Frontplattenausschnitt (Rückseite)
Panel cut out (rear side)

A-A



				*Lieferant darf ohne Ruecksprache nicht geaendert werden	Werkstoff:	Masstab: 1:1	Gezeichnet	Datum	Name
				Zeichnung urheberrechtlich geschuetzt (DIN 34) (C)			Geprueft	10.12.02	Batlg
				Benennung:	Phono Sockets NF2D		Gesehen	Ersetzt durch:	Blatt
								Ersatz fuer:	von Blatt
A	Panel cut out	20.10.03	NB					Zechn. Nr.	
Ind.	Aenderung	Datum	Name	NEUTRIK AG FL-9494 SCHAAN					