



Gold plated contacts



Soft-touch surface



Phono socket

Profi® RCA Series

Phono Socket



NF2C-B2



NF2D-4

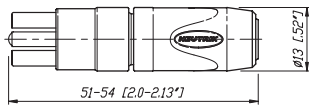


NF2D-B-6

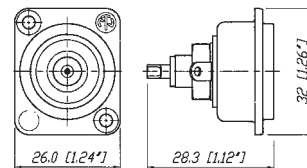
- Makes ground before signal contact and breaks signal before ground
- No more disturbing noise and broken speaker cones
- Precisely machined to our demanding quality standards
- Neutrik unique chuck type strain relief
- Gold plated contacts
- Sleek barrel with soft touch surface and coloured shrink sleeve
- Improved ground solder lug for ease soldering

- Precisely machined to our demanding quality standards
- Gold plated contacts

NF2C-B2



NF2D-*



*: available in 9 colors see page 59

Product

Title	NF2D-4
-------	--------

Connection Type	RCA
-----------------	-----

Gender	female
--------	--------

Electrical

Capacitance between contacts	≤ 9 pF
------------------------------	-------------

Contact resistance	<5G m Ω (inner)
--------------------	------------------------

Dielectric strength	0,5 kVdc
---------------------	----------

Insulation resistance	< 5 G Ω
-----------------------	----------------

Rated current per contact	16 A
---------------------------	------

Rated voltage	50 V
---------------	------

Mechanical

Lifetime	> 2000 mating cycles
----------	----------------------

Wiring	Solder contacts
--------	-----------------

Mounting direction	front
--------------------	-------

Chassis shape	D
---------------	---

Material

Contact plating	5 μ m Au over 5 μ m Ni
-----------------	--------------------------------

Contacts	Brass (CuZn39Pb3)
----------	-------------------

Shell	Zinc diecast (ZnAl4Cu1)
-------	-------------------------

Environmental

Flammability	UL 94 HB
--------------	----------

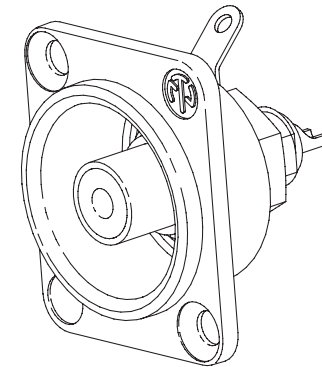
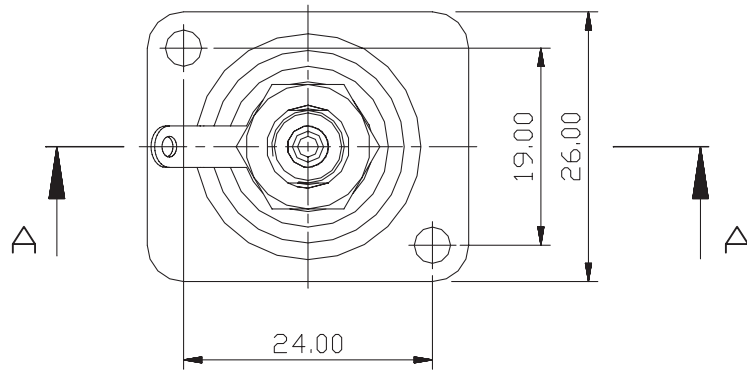
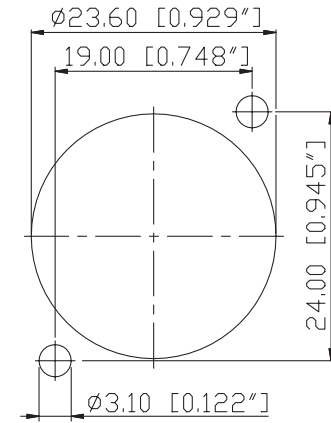
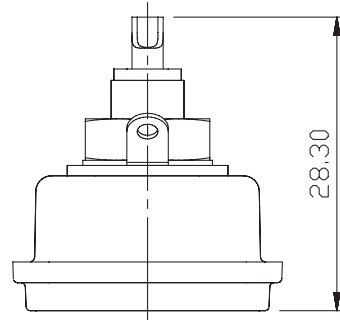
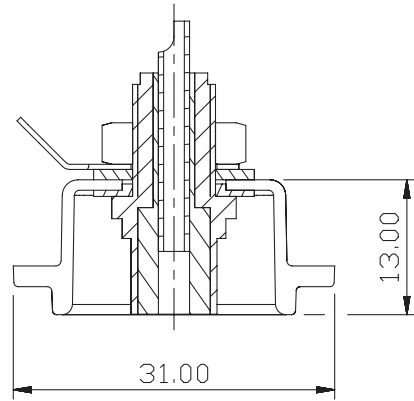
Standard compliance	IEC 601-14
---------------------	------------

Protection class	IP 40
------------------	-------

Solderability	Complies with IEC 68-2-20
---------------	---------------------------

Frontplattenausschnitt (Rückseite)
Panel cut out (rear side)

A-A



				*Lieferant darf ohne Ruecksprache nicht geaendert werden	Werkstoff:	Masstab: 1:1	Gezeichnet	Datum	Name
				Zeichnung urheberrechtlich geschuetzt (DIN 34) (C)			Geprueft	10.12.02	Batlg
				Benennung:	Phono Sockets NF2D		Gesehen	Ersetzt durch:	Blatt
								Ersatz fuer:	von Blatt
A	Panel cut out	20.10.03	NB					Zechn. Nr.	
Ind.	Aenderung	Datum	Name	NEUTRIK AG FL-9494 SCHAAN					