

XLR Cable Connectors



Ergonomic latch design



Neutrik hologram



Inside view



Circumferential ground shield contact

XX Series



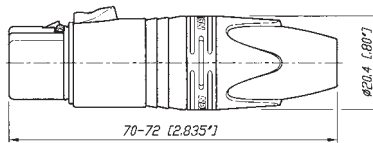
NC3FXX



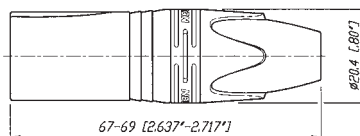
NC6MXX-B

- The next generation of the worldwide accepted standard
- Unique cage type female contact - increases conductivity
- Female contact with "solder stop" for ease soldering
- Male connector without locking "window" - more robust housing, increases durability
- Improved chuck type strain relief - increases retention force and makes assembly easier and faster
- New ground contact - excellent contact integrity between chassis and cable connector
- Customized branding using translucent ring
- Sleek and ergonomic design - valuable and handy
- Unique hologram – guarantees genuineness and protects against counterfeits
- Internal thread on shell is well protected against any damage

NC*FXX



NC*MXX



*: 3 - 7 contacts

EMC-XLR Series

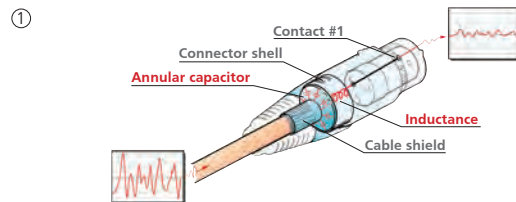


NC3FXX-EMC

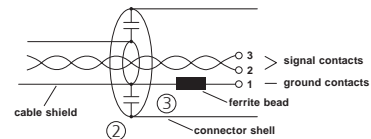


NC3MXX-EMC

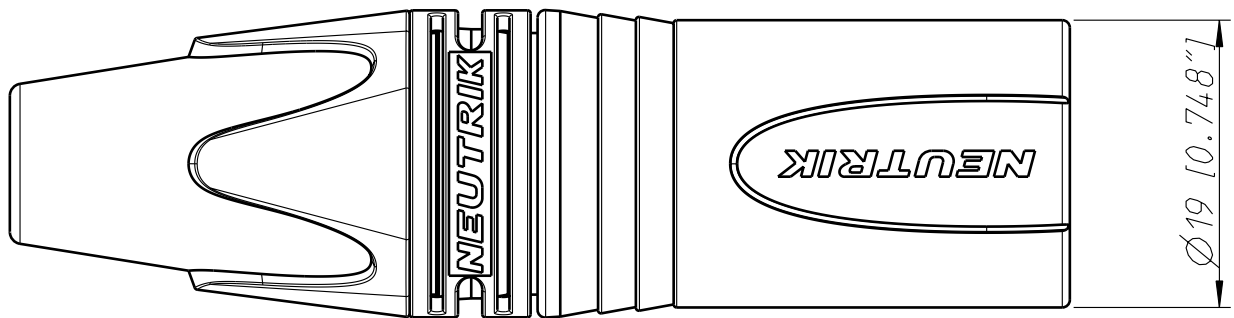
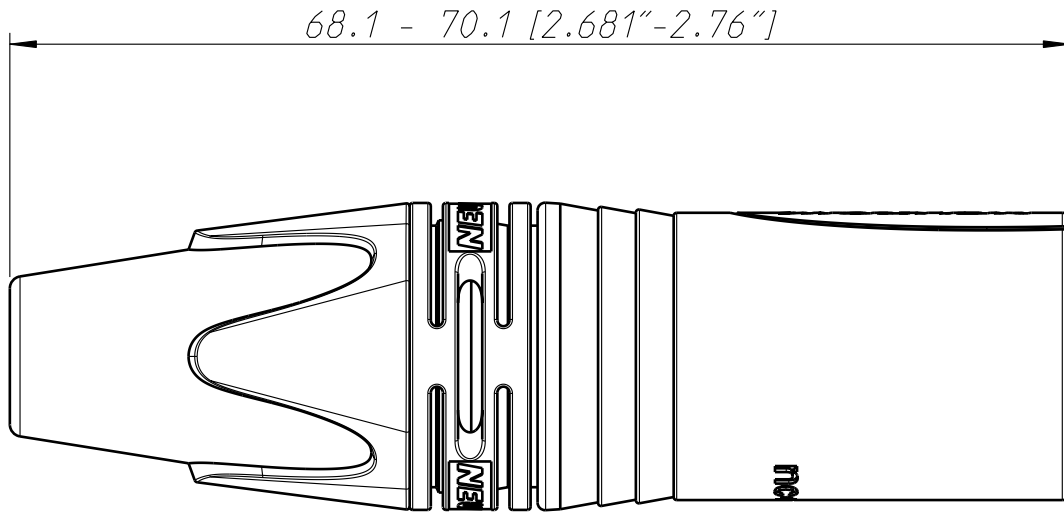
- 3-pole male / female XLR cable connector with integrated capacitive shield to shell connection to avoid RF-interference and LF-noise
- 360° shield contact on female connector ensures best possible shielding and chassis contact
- Patent



- ① Design guarantees a continuous RF-shield connection but avoids ground loops (no LF-shield connection)
- ② Circular capacitor enables low-inductive shield connection to connector housing
- ③ Cable shield - PIN 1 connection includes EMI suppression bead (blocks high frequencies)



Product	
Connector Type	XLR
Gender	male
Electrical	
Capacitance between contacts	≤ 4 pF
Contact resistance	≤ 3 mΩ
Dielectric strength	1,5 kVdc
Insulation resistance	> 2 GΩ (initial)
Insulation resistance	> 1 GΩ (after damp heat test)
Rated current per contact	16 A
Rated voltage	50 V
Mechanical	
Cable O.D.	3.5 - 8.0 mm
Insertion force	≤ 20 N
Withdrawal force	≤ 20 N
Lifetime	> 1000 mating cycles
Wire size	max. 2.5 mm ²
Wire size	max. 14 AWG
Wiring	Solder contacts
Locking device	latch lock
Material	
Boot	Polyuretan
Bushing	Polyamide (PA 6 15% GR)
Contact plating	2 μm Ag
Contacts	Brass (CuZn39Pb3)
Insert	Polyamide (PA 6.6 30 % GR)
Locking element	Zinc diecast (ZnAl4Cu1)
Shell	Zinc diecast (ZnAl4Cu1)
Shell plating	Nickel
Strain relief	Polyacetal (POM)
Environmental	
Flammability	UL 94 HB
Standard compliance	IEC 61076-2-103
Protection class	IP 40
Solderability	Complies with IEC 68-2-20
Temperature range	-30 °C to +80 °C



Allgemeintoleranzen ISO 2768-m	Werkstoff KEIN_MAT -	Massstab: 2:1 (A4)		Datum	Name
			Gezeichnet	06.07.04	jutz b
Zeichnung urheberrechtlich geschuetzt (DIN 34) (C)			Freigegeben	-	-
			Geaendert	17.04.07	jutz b
Benennung XX-Serie NC 3MXX			Aend.-Nr.		Aend.-Index
			-		B
NEUTRIK AG FL-9494 SCHAAN			Ersatz fuer:		Blatt 1 von 1 Bl.
			Zeichn. Nr.		ST-NC 3MXX