



NC3FAH2

3 pole female XLR receptacle, grounding: separate ground contact to mating connector shell and front panel, horizontal PCB mount

The `State of the Art` receptacle. Round plastic body XLR PCB mount panel connector. These have the smallest size and highest packing density (23mm between centres). New designed tulip type contacts with hard gold plating and polished contact areas. UL recognized component.

Features & Benefits

- Smallest XLR receptacles, highest packing density
- Tulip type female contact
- Housing flammability UL94 V-0
- Plastic housing, steel latch lock
- Polished contact areas and hard gold plating

Technical Information

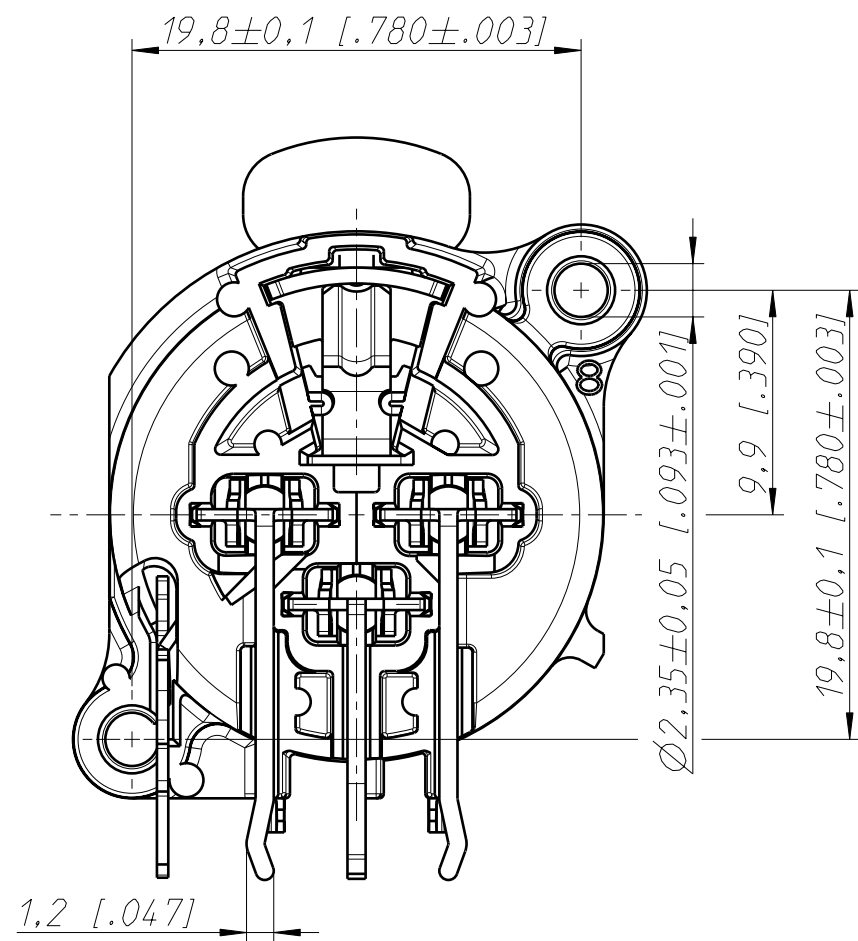
Product	
Title	NC3FAH2
Connection Type	XLR
Gender	female

Electrical	
Capacitance between contacts	$\leq 4 \text{ pF}$
Contact resistance	$\leq 6 \text{ m}\Omega$
Dielectric strength	1,5 kVdc
Insulation resistance	$> 10 \text{ G}\Omega$ (initial)
Rated current per contact	6 A
Rated voltage	$< 50 \text{ V}$
Grounding Options	Separate ground contact connected to mating connector shell and front panel, no connection to Pin 1

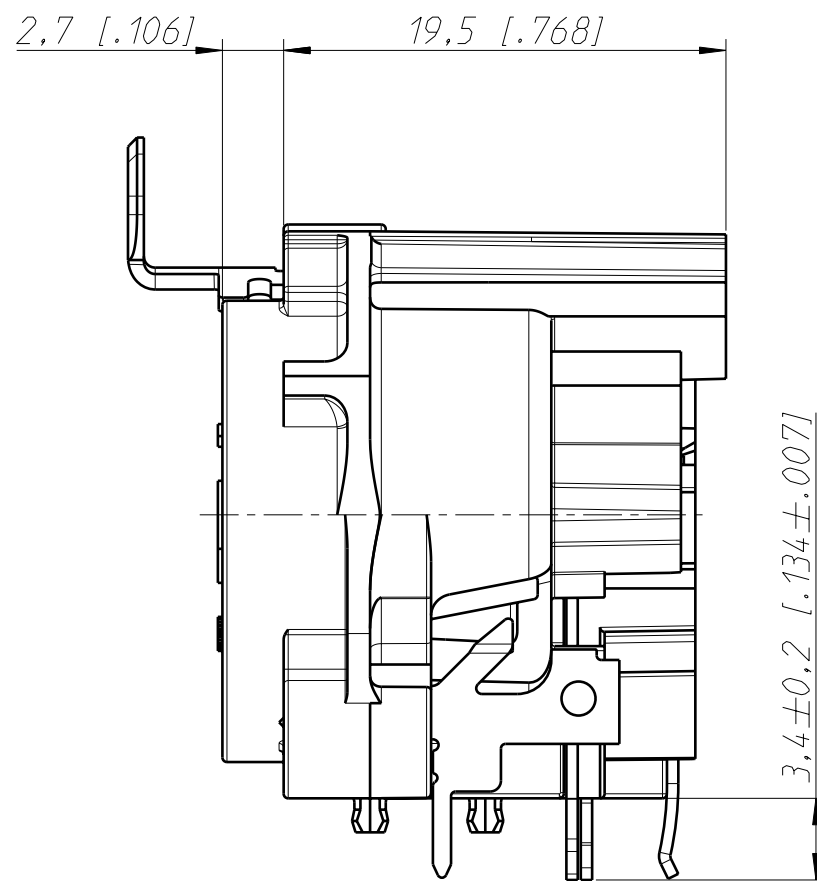
Mechanical	
Insertion force	$\leq 20 \text{ N}$
Withdrawal force	$\leq 20 \text{ N}$
Lifetime	> 1000 mating cycles
Wiresize	
Wiring	Horizontal PCB mount
Locking device	Latch lock
Mounting direction	Rear mounting
Chassis shape	A
Mounting	A-Screw

Material	
Contacts	Bronze (CuSn6)
Insert	Polyamide (PA 6.6 30 % GR)
Locking element	Steel Ck67

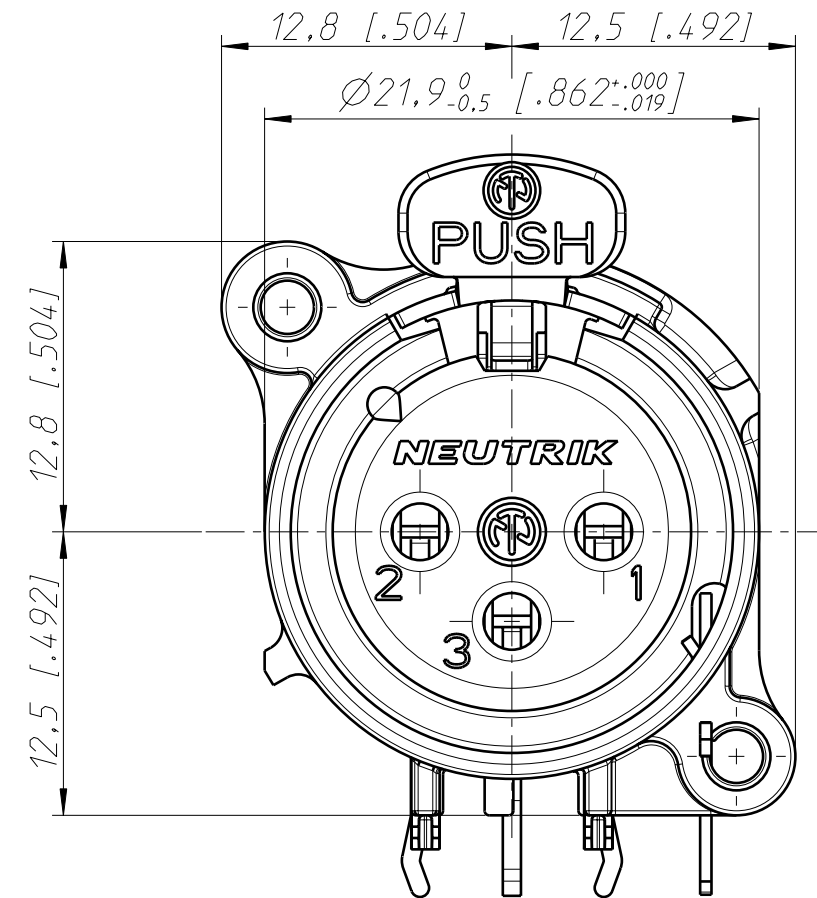
Environmental	
Approvals	UL
Flammability	UL 94 V-0
Standard compliance	IEC 61076-2-103
Protection class	IP 40
Solderability	Complies with IEC 68-2-20
Temperature range	-30 °C to +80 °C



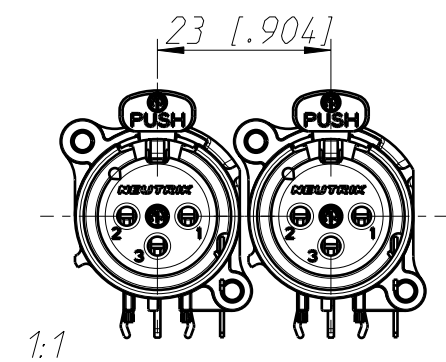
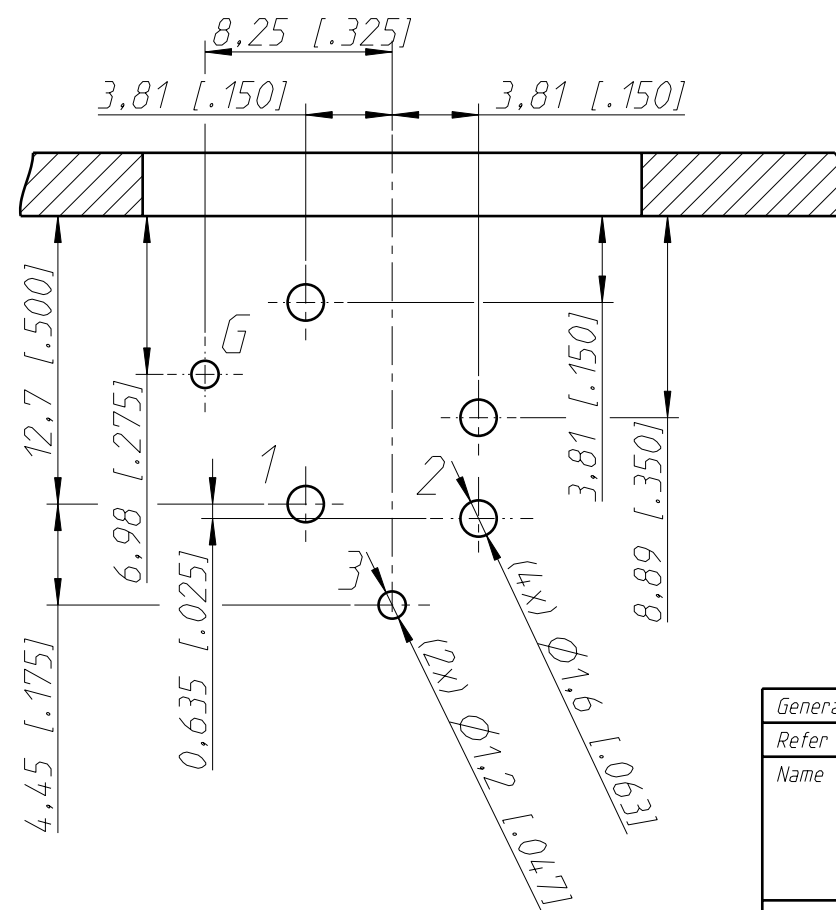
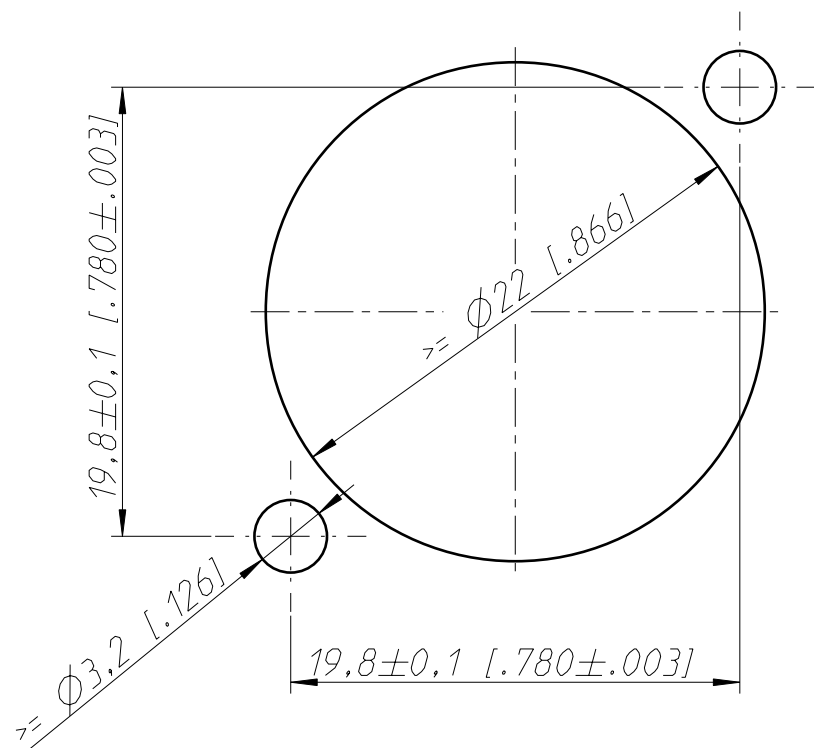
Frontplattenausschnitt (Rückseite)
Panel cut out (rear side)



Print-Bohrplan (Bestückungsseite)
PCB-Layout (component side)



min. Einbauabstand
min assembling distance



Housing material: UL94 V-0

General tolerances ISO 2768-m	Scale	Date	Name
Refer to protection notice ISO 16016.	3:1 (A3)	04.01.95	Dobler
Name	NC3FAH2	Modified	07.03.19
	NC3FAH2	Change-No.	2018-0139
		Sheet-No.	1 / 1
		Index	[]
		Replacement for:	
		Drawing-No.	ST-NC3FAH2
NEUTRIK			