



## NAUSB-W

Reversible USB 2.0 gender changer (type A and B), Nickel D-housing.

As digitization spreads, interface problems among audio/video networks, IT equipment, MP3 camcorders, etc. continue to increase.

Neutrik's reversible USB gender changer, mounted in the standardized D-shape housing, solves these issues.

Compatible with both standard USB patch cables and Neutrik's locking, pre-terminated NKUSB-\* cable assemblies.

### Features & Benefits

- Ideal for audio networking and integration of computerbased equipment into audio systems
- USB 2.0 gender changer type A-B (B-A)
- Universally accepted standard D-shape housing
- IP65 ingress protection in mated condition with NKUSB-\* and SCDP-\* sealing gasket
- Reversible insert offering type A or B on front or rear end

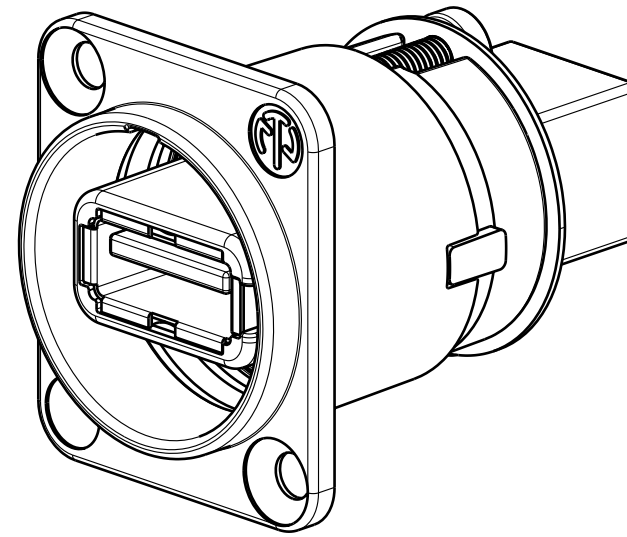
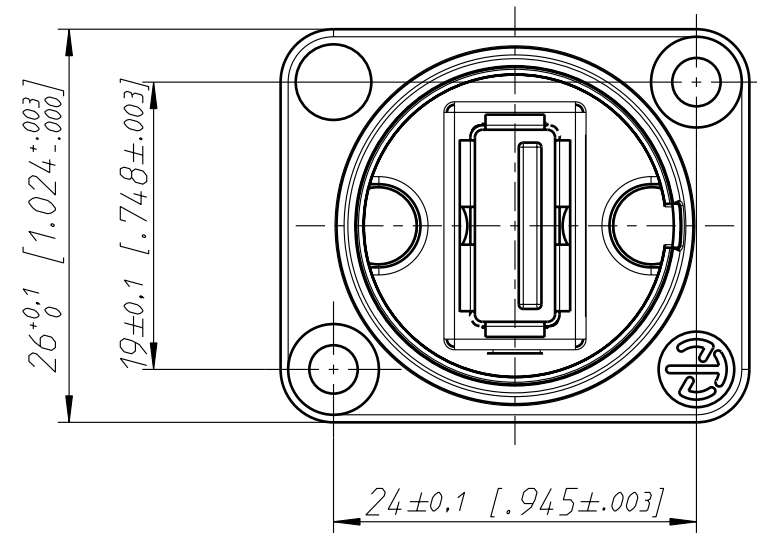
## Technical Information

Product	
<b>Title</b>	NAUSB-W
<b>Connection Type</b>	Adapter
<b>Gender</b>	female

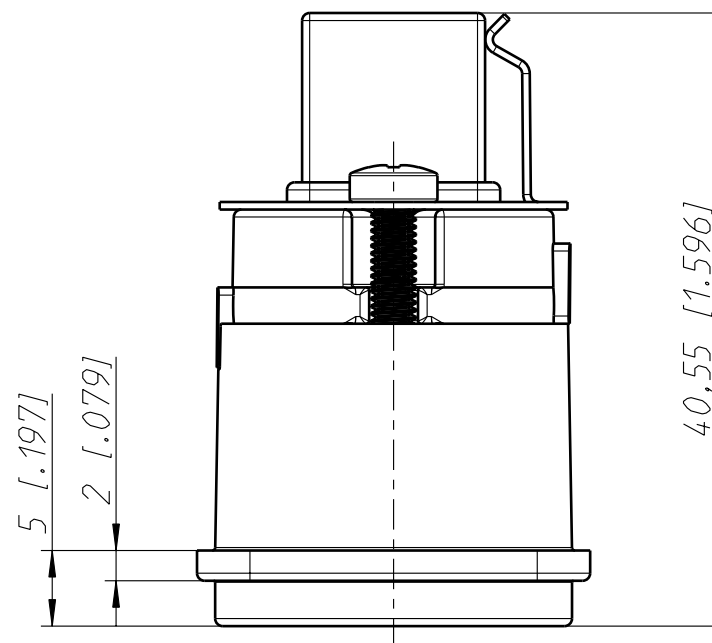
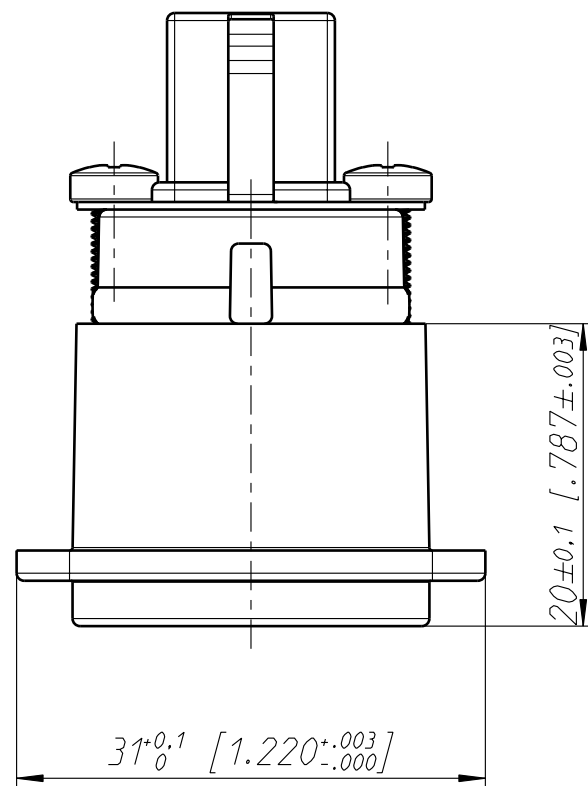
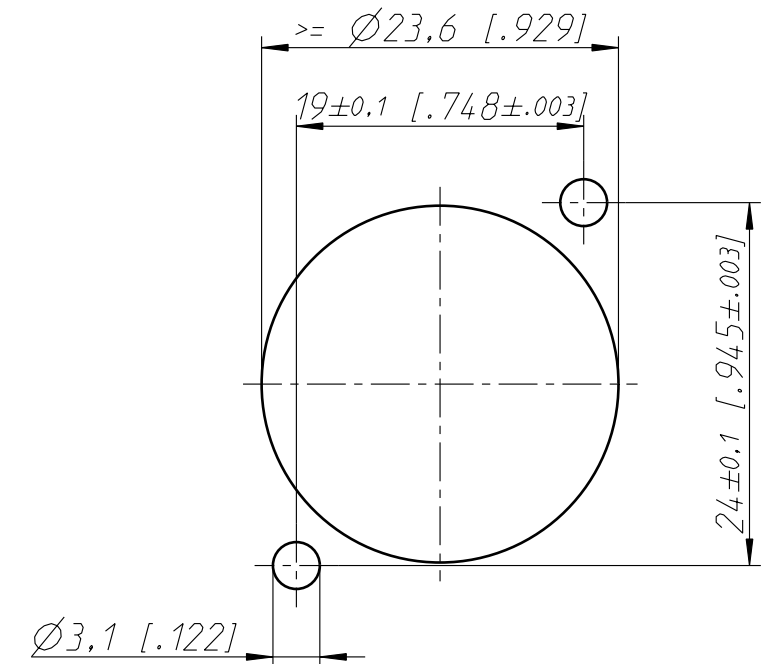
Mechanical	
<b>Wiresize</b>	
<b>Mounting direction</b>	Front mounting
<b>Chassis shape</b>	D
<b>Lifetime</b>	> 1000 mating cycles

Material	
<b>Contact plating</b>	Au
<b>Contacts</b>	Brass (CuZn39Pb3)
<b>Insert</b>	PBTP 15 % GR
<b>Shell</b>	Zinc diecast (ZnAl4Cu1)
<b>Shell plating</b>	Nickel

Environmental	
<b>Flammability</b>	UL 94 V-0
<b>Standard compliance</b>	USB 2.0 specifications
<b>Temperature range</b>	-25 °C to +85 °C



Frontplattenausschnitt (Rückseite)  
Panel cut out (rear side)



Allgemeintoleranzen ISO 2768-m	Werkstoff	Massstab:	Datum	Name	
Zeichnung urheberrechtlich geschuetzt (DIN 34) (C)	-	2:1 (A3)	Gezeichnet	05.05.09	Mijatovic
			Freigegeben		
Benennung	NAUSB-W NAUSB-W		Geaendert	21.09.10	jutz b
			Aend.-Nr.	-	Aend.-Index A
			Ersatz fuer:		Blatt 1 von 1 Bl.
NEUTRIK AG FL-9494 SCHAAN			Zeichn. Nr.	ST-NAUSB-W	