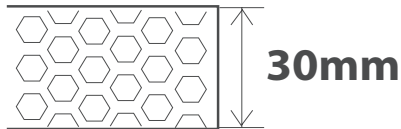




SMALLER SIZE low profile



Features

- Universal AC input / Full range.
- With stand 300VAC surge input for 5 seconds.
- Miniature size and 1U low profile, low weight.
- Protections: Short circuit / Overload / Over voltage.
- Cooling by free air convection.
- No load power consumption <0.5W.
- Operating altitude up to 5000 meters (Note 6).
- LED indicator for power on.
- 100% kill load burn-in test.
- High efficiency, long life and high reliability.
- Extended life high quality capacitors.
- 5 year limited warranty.*

*Check special warranty support with your vendor.

Applications

- Industrial automation machinery.
- Industrial control system.
- Mechanical and electrical equipment.
- Electronic instruments, equipments or apparatus.
- Lighting control and decoration.
- Lighting fixtures control.

Description

MYNOX-035P series is a 35W single-output enclosed type power supply with 30mm of low profile design. Adopting the full range 90-264VAC input, the entire series provides an output voltage line of 5V, 12V 15V, 24V, 36V and 48V.

In addition to the high efficiency up to 90%, the design of metallic mesh case enhances the heat dissipation of MYNOX-035P that the whole series operates from - 30°C through 70°C under air convection without a fan. Delivering an extremely low no load power consumption (less than 0.5W), it allows the end system to easily meet the worldwide energy requirement, MYNOX-035P has the complete protection functions and 5G anti-vibration capability; it is complied with the international safety regulations such as TUV EN60950-1, UL 60950-1 and GB4943, MYNOX-035P series serve as a high price-to-performance power supply solution for various industrial applications.

Specification

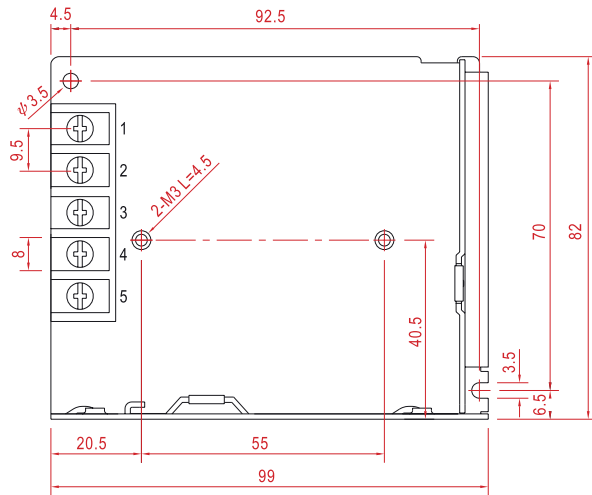
	Model	MYNOX-035P05	MYNOX-035P12	MYNOX-035P15	MYNOX-035P24	MYNOX-035P36	MYNOX-035P48	
Output	DC Voltage	5V	12V	15V	24V	36V	48V	
	Rated current	7A	3A	2.4A	1.5A	1A	0.8A	
	Current range	0~7A	0~3A	0~2.4A	0~1.5A	0~1A	0~0.8A	
	Rated power	35W	36W	36W	36W	36W	38.4W	
	Ripple&noise	100mVp-p	120mVp-p	120mVp-p	150mVp-p	200mVp-p	200mVp-p	
	DC Voltage ADJ range	±10%	±10%	±10%	±10%	±10%	±10%	
	Voltage tolerance (Note3)	±3%	±2%	±1%	±1%	±1%	±1%	
	Line regulation (Note 4)	±0.5%	±0.5%	±0.5%	±0.5%	±0.5%	±0.5%	
	Load regulation (Note 5)	±2%	±1%	±0.5%	±0.5%	±0.5%	±0.5%	
	Setup, rise, hold up time	800ms, 30ms, 30ms / 230VAC (full load)						
Input	Voltage range	90 ~ 264VAC, 127 ~ 373VDC (withstand 300VAC surge input for 5 second)						
	Frequency range	47~63Hz						
	AC current	0.7A/115VAC 0.42/230VAC						
	Efficiency	83%	86%	87%	88%	89%	90%	
	Inrush current	Cold start 45A / 230VAC						
	Leakage current	<0.75mA / 240VAC						
Protection	Overload	Rated output power 110% ~ 150% Start overload protection						
		Protection type: hiccup mode, auto-recovery after fault condition is removed						
	Over voltage	Rated output voltage 115% ~ 135% Start over voltage protection						
		Protection type: cut off the output, auto-recovery after fault condition is removed						
Environment	Working temperature	-30°C ~ +70°C (Please refer to "derating curve")						
	Working humidity	20% ~ +90% RH Non-condensing						
	Storage temp & humidity	-40°C ~ +85°C; 10% ~ 95% RH Non-condensing						
	Withstand vibration	10 ~ 500Hz, 3G 10min/1 Cycle, Period for 60min, Each axes						
Safety	Withstand voltage	I/P-O/P: 3KVAC I/P-FG: 2KVAC O/P-FG: 1.25KVAC						
	Isolation resistance	I/P-O/P, I/P-FG, O/P-FG: 100M Ohms / 500VDC / 25°C / 70%RH						
Standards compliance	Safety standard	Compliance to UL60950-1, TUV EN60950-1, GB4943						
	EMC emission	Compliance to EN55022 (CISPR22) Class B, GB9254 Class B, EN55014, EN61000-3-2,3						
	EMC immunity	Compliance to EN61000-4-2,3,4,5,6,8,11, EN55024, EN61000-6-1						
Others	Dimension	99*82*30mm (L*W*H)						
	Weight	0.23kg / 60pcs / 14.8kg / 0.025m ³ / 0.88CUFT						
	MTBF	≥1290K hrs min. MIL-HDBK-217F(25°C)						

Note:

- All parameters NOT specially mentioned are measured at 230VAC input, rated load and 25°C of ambient temperature.
- Ripple & noise are measured at 20MHz of bandwidth by using a 12" twisted pair-wire terminated with a 0.1uf & 47uf parallel capacitor.
- Tolerance: includes set up tolerance, line regulation and load regulation.
- Line regulation is measured from low line to high line at rated load.
- Load regulation is measured from 0% to 100% rated load.
- The ambient temperature derating of 5°C/1000m is needed for operating altitude greater than 2000m (6500ft).
- The power supply is considered as a component which will be installed into a final equipment. The final equipment must be re-confirmed that it still meets EMC directives. For guidance on how to perform these EMC test.

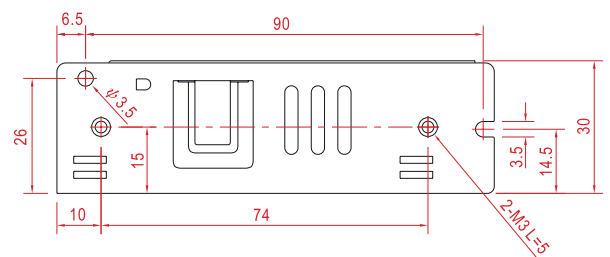
Mechanical specification

Unit: mm

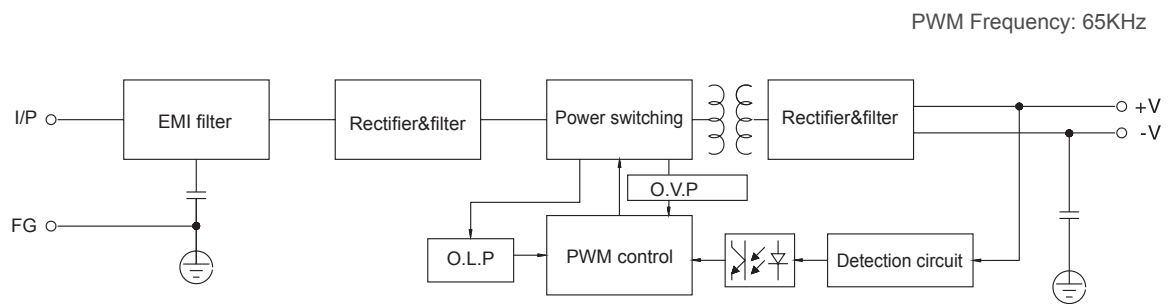


Terminal Pin No. Assignment

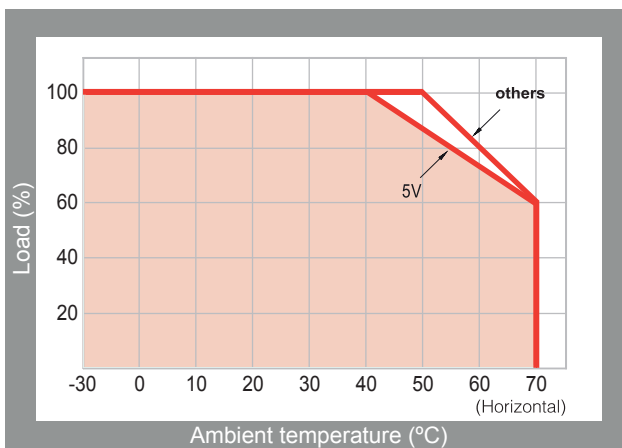
Pin No.	Assignment	Pin No.	Assignment
1	AC/N	4	DC OUTPUT -V
2	AC/L	5	DC OUTPUT +V
3	FG \perp		



Block diagram



Derating curve



Static characteristics

