

Product type Audio connector

Product NO. ML4FC-X

Customer

Product Appearance



Product features

- ✔ Quick, simple locking system
- ✔ Connect reliably
- ✔ Small size of product

Technical parameters

Electrical parameters

| | |
|-----------------------|------------------------|
| Contacts NO. | 4 |
| Rated current | 30A rms |
| Rated voltage | 250V AC |
| Contact resistance | $\leq 3\text{m}\Omega$ |
| Dielectric strength | 40000V DC |
| Insulation resistance | $> 1\text{G}\Omega$ |

Mechanical parameters

| | |
|---------------|---------------------|
| Service life | >1000 mating cycles |
| Wire diameter | 4mm ² |

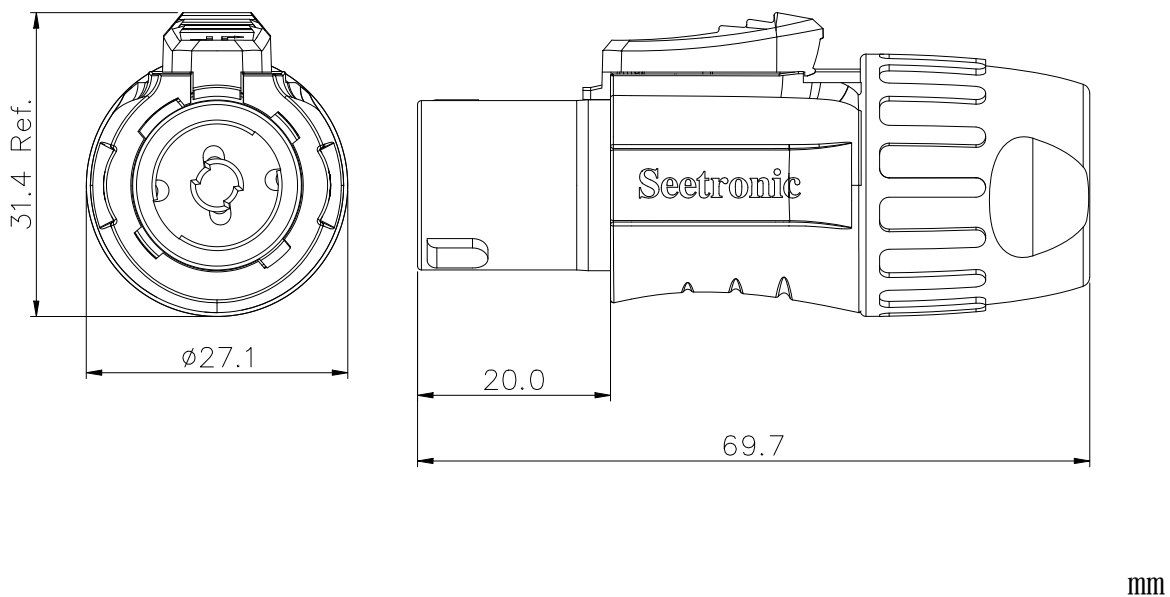
3. 材料和环境 (Material and environmental parameters)

| | |
|-----------------------|------------------|
| Shell | PA |
| Contacts | Cu alloy |
| Contact surface | Ag |
| Flame-retardant grade | UL94-V0 |
| Temperature range | -30° C to +80° C |

Standard

| | |
|----------|----------|
| Standard | IEC61984 |
|----------|----------|

Product Profile



Installation instructions

