

IPX-020P12P

20W AC/DC switch power supply



1. Scope

The purpose of the document is to specify the functional requirements of a 20 W switching power supply.

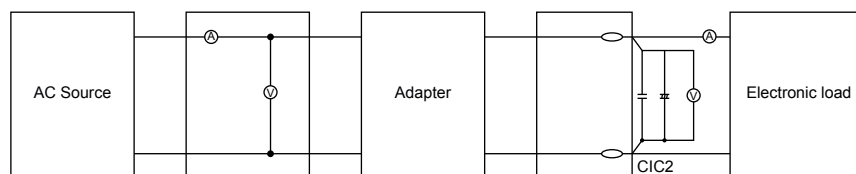
2. Electrical Specifications

| | Item | Technical Norm |
|-------|-------------------------|--|
| Input | Rated voltage | 100-240VAC |
| | Variation voltage range | 90-264VAC |
| | Rated frequency | 50-60Hz |
| | Variation frequency | 47-63Hz |
| | Current | 0.6Amps max At any input voltage and rated, DC output rated load |
| | AC leakage current | 0.25mA Max. At 264Vac input |

| Power output | | | | | |
|--------------|---------|-----------|------------|-----------------|-----------------|
| Output | Voltage | Min. Load | Rated Load | Peak Load | Output power |
| | 12VDC | 0.00A | 1.66A | | 20W |
| | Voltage | Min. Load | Rated Load | Line regulation | Load regulation |
| | 12VDC | 0.00A | 1.66A | ±3% | ±5% |

3. Ripple and Noise

Output Ripple voltage is 200mV peak to peak or less (100VAC 60Hz/240VAC 50Hz).



Measured methods:

*The ripple is measured from peak to peak with band width limit of 20MHz (C1: 0.1uF Ceramics capacitor C2: 47uF/50V Aluminum capacitor under DC output full load, AC nominal input 25°C ambient temperature).

Turn on delay time: 3 Second Max. at 100Vac input and output Max. load.

Rise time: 40 mS Max. at 100Vac input and output Max. load.

Hold up time: 5 mS Min. at 100Vac input and output Max. Load.

Efficiency: 78% Min. at 115Vac input and output Max. Load.
78% Min. at 230Vac input and output Ma

Standby Power: Rated Voltage: 100~240Vac 0.3W max.

IPX-020P12P
20W AC/DC switch power supply

4. Protection function

Short circuit protection: The power supply will be auto recovered when short circuit faults remove.

Over current Protection: The power supply will be auto recovered when over current faults remove.

Output voltage achieve over voltage protection point.will auto protection without output.be capable of auto-recovery function.

5. Environmental requirement

Operating Temperature: 0°C to 40°C, Full load, Normal operation.

Storage Temperature: -10°C to 80°C
With package

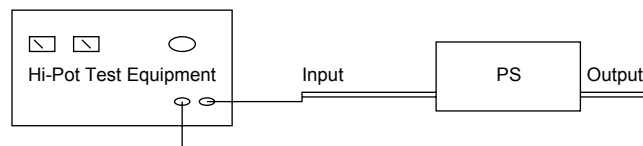
Relative Humidity: 25%(0°C)~75%(40°C)RH,72Hrs, Full load, Normal operating.

6. Safety and EMI requirement

EN62368. Safety:Comply with EN62368.

Insulation Resistance: 500VDC primary to the secondary input impedance of 100MΩ(Min).

Dielectric withstand Hi-Pot: HI-POT-- primary to secondary3000Vac 5mA 1min.



EMI standard: Meets the Limits of
EN55032 class B rules

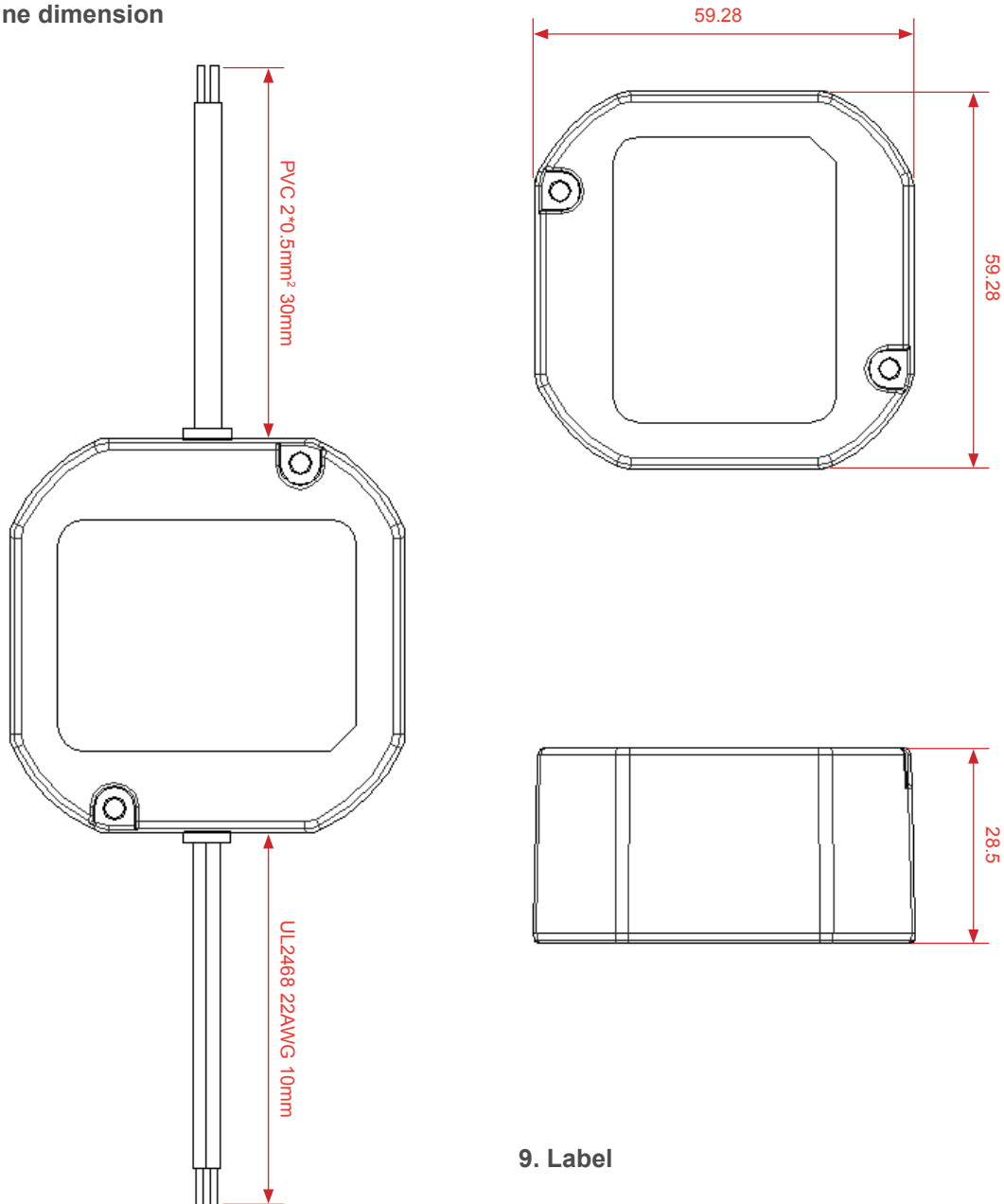
7. Enclosure

The power supply size: L59.28xW59.28xH28.5mm.

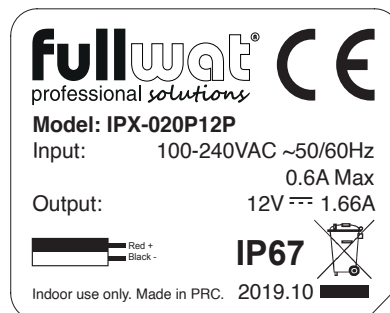
IPX-020P12P

20W AC/DC switch power supply

8. Outline dimension

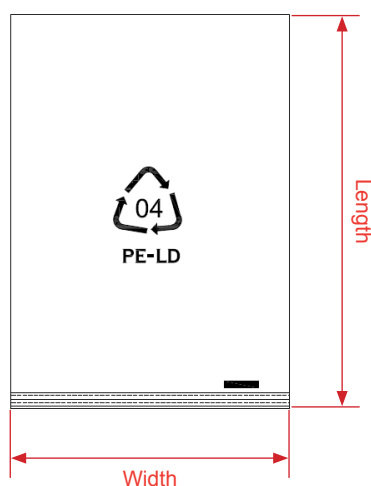


9. Label



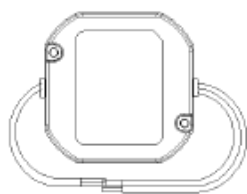
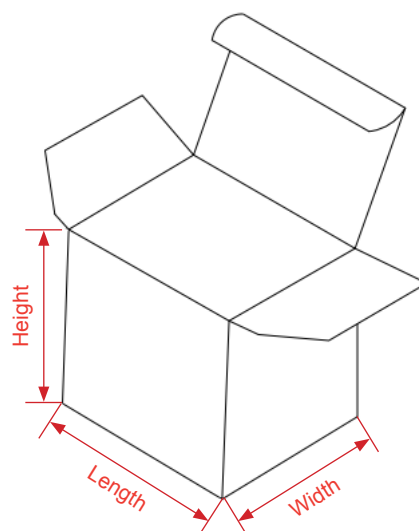
IPX-020P12P
20W AC/DC switch power supply

10. Packing Step

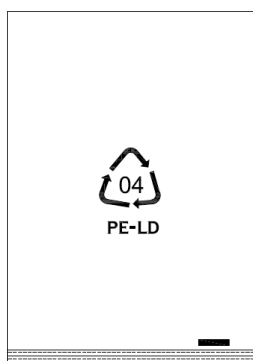


1. PE bag
Length: 170mm
Width: 120mm

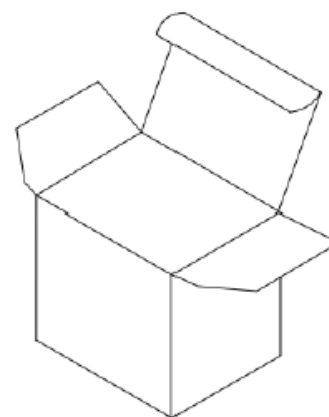
2. White box:
Length: 85mm
Width: 52mm
Height: 70mm



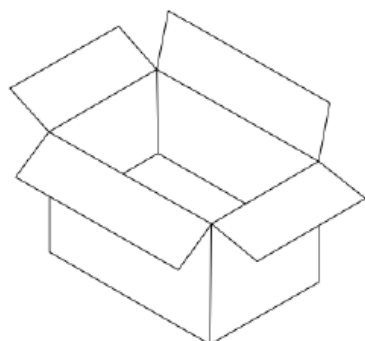
A: Product



B: PE bag



C: White box



Packing request:

Packaging: Outside box:450L*285W*310H
Quantity:100PCS/CTN

Remarks:

1. Firstly, put the product into PE bag according to the picture "A/B".
2. After finishing the first step, then put the product into white box according to the picture "C".
3. Then put the product into outer carton.
4. When packing finished, then seals the carton and labels the mark.
5. Through the QA inspection, the products can be shipped.