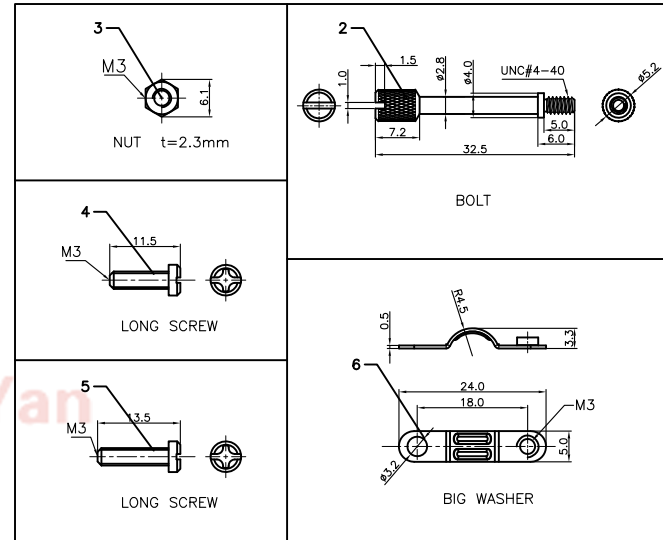
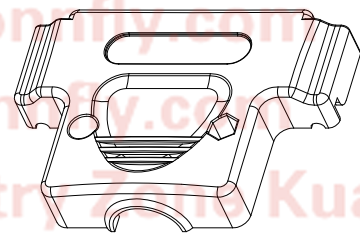
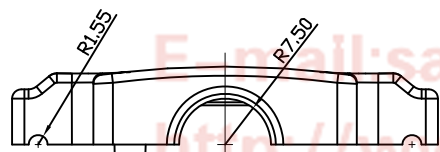
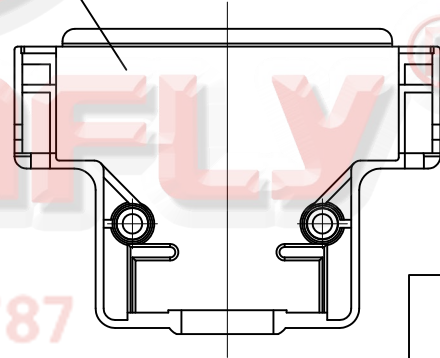
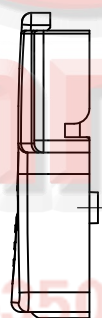
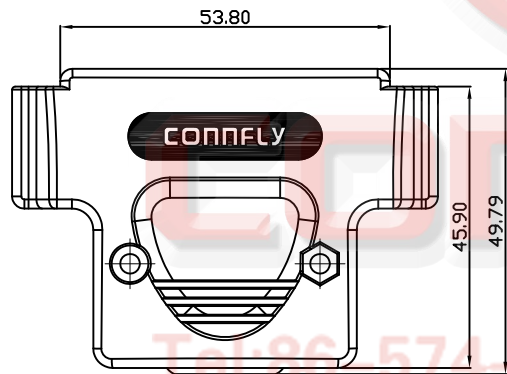
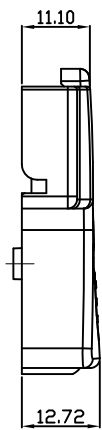
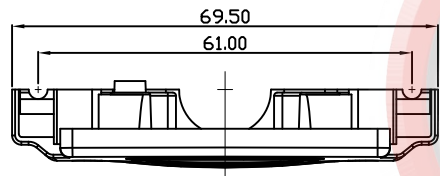


REV.	DESCRIPTION	DRAWN	CHECKED	APPROVED
A	NEW RELEASE	YCH 05/24/11'	~	LJC 05/24/11'
B	ADD P/N CODE	LJC 12/24/13'	~	LJC 12/24/13'
C	Arrange Drawing	JLZ 10/09/14'	~	LJC 10/09/14'
D	ADD LOGO	JLZ 12/17/14'	~	

NOTES:  
 1. Hardwares are all Nickel plated.  
 2. PART NUMBER CODE:  
 DS1045 - 50 X X X - X

- Hood Materials®
  - A: ABS
  - B: Similar ABS
- Packing type
  - 1: Mix packing
  - 2: Separation packing
- Cover Color
  - A: Gray
  - B: Black
- Cover Material
  - P: Plastic(ABS)
- Position
  - 50: 50pin



ITEM	PART NAME	Q'ty	NOTES
1	PLASTIC HOOD	2	SEE P/N
2	BOLT	2	#4-40
3	NUT	2	M3
4	M3*10 SCREW	2	M3
5	M3*12 SCREW	2	M3
6	BIG WASHER	2	M3

GENERAL TOLERANCE		ANGLE TOLERANCE	
X.	±0.60	X.	±5°
.X	±0.38	.X	±3°
.XX	±0.25	.XX	±2°

DRAWING TYPE	CUSTOMER
SCALE	1:1
DRAWING NO.	C-DS1045-50XXX-X-D

PROJECTION	TITLE
UNITS	mm
SHEET SIZE	A4
SERIES	DS1045 SERIES

**CONNFLY® 晨翔电子有限公司**  
**CONNFLY ELECTRONIC CO., LTD**

Tel: 86-574-63508787  
 Fax: 86-574-63510817  
 E-mail: sale@connfly.com  
 http://www.connfly.com  
 Add: East Industry Zone, Kuang Yang  
 Town Cixi Ningbo China  
 Tel: 86-574-315333