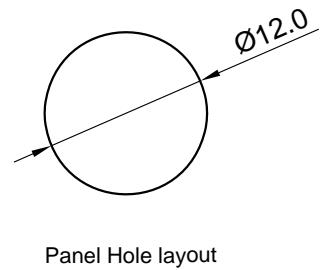
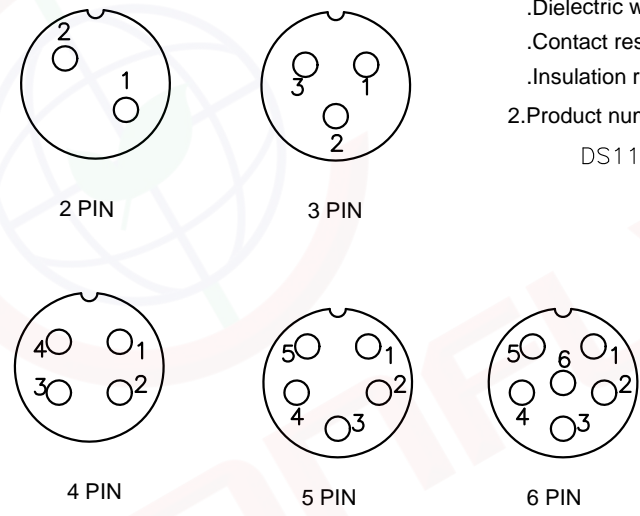
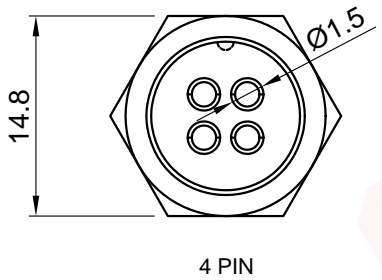
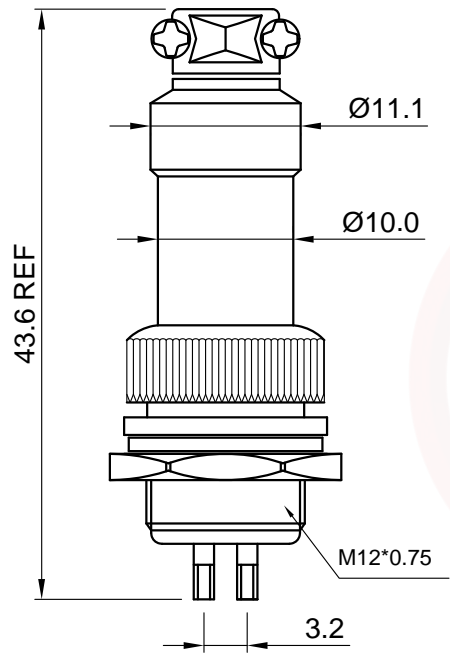


Dept	
Qty	
DC	1
ED	1
IE	1
ISO	1
PD	1
R&D	1
SD	1
QA	1
QC	1
QE	1

The information provided herein is from CONNELY Electronic Co., Ltd. and is confidential. Any disclosure to a party other than the recipient is prohibited. The intellectual properties and its rights contained herein, including but not limited to, trademarks, patents, copyrights, trade secrets, and technical know-how, are owned exclusively by CONNELY or its affiliates. Unauthorized use or reproduction of any part of this document is strictly prohibited. CONNELY may enforce its intellectual property rights at its own discretion, failures or delays to exercise such rights does not constitute a waiver of such rights.



(Series Image-Reference Only)

REV.	DESCRIPTION	DRAWN	CHECKED	APPROVED
A	NEW RELEASE	LL 07/18/06'		LJC 07/18/06'
B	DRAWING UPDATE	JLZ 06/13/16'	HZW 06/13/16'	LJC 06/13/16'
C	ADD PLATING TYPE	JLZ 06/28/18'		

NOTES:

- Specification
 - .Current rating: 5A Max.
 - .Dielectric with standing voltage: 500V(AC)
 - .Contact resistance: 100mΩ Max.
 - .Insulation resistance: 1000MΩ(DC)Min

2.Product number code:

DS1110-01 - X X X

- Contact plating
 - 6: Silver
 - 8: Gold flash
- Color of housing
 - B: Black
- No. of contacts
 - 2: 2pin
 - 3: 3pin
 - 4: 4pin
 - 5: 5pin
 - 6: 6pin

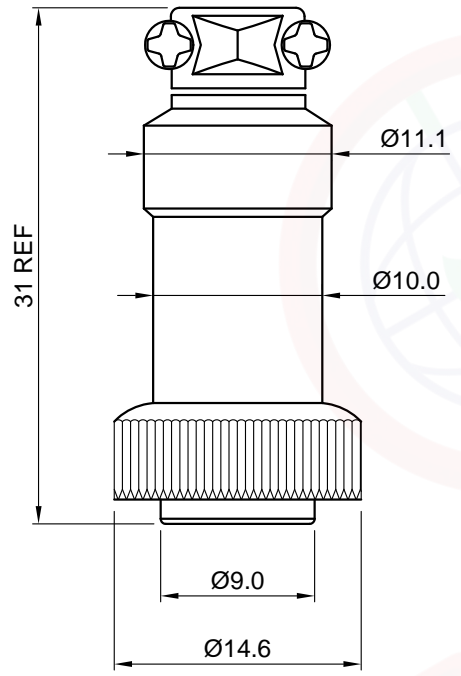
GENERAL TOLERANCE		ANGLE TOLERANCE		PROJECTION		TITLE	MICRO JACK CONNECTOR	
X.	±0.60	X.	±5°	UNITS	mm			
.X	±0.38	.X	±3°	SHEET SIZE	A4	SERIES	DS1110-01 SERIES	
.XX	±0.25	.XX	±2°					
DRAWING TYPE		CUSTOMER						
SCALE		1:1	SHEET	1 OF 3				
DRAWING NO.		C-DS1110-01-XXX-C						

晨翔电子有限公司
CONNELY ELECTRONIC CO., LTD

Dept	Qty
DC	1
ED	1
IE	1
ISO	1
PD	1
R&D	1
SD	1
QA	1
QC	1
QE	1

The information provided herein is from CONNELY Electronic Co., Ltd. and is confidential. Any disclosure to a party other than the recipient is prohibited. The intellectual properties and its rights contained herein, including but not limited to, trademarks, patents, copyrights, trade secrets, and technical know-how, are owned exclusively by CONNELY or its affiliates. Unauthorized use of this information is strictly prohibited. CONNELY may enforce its intellectual property rights at its own discretion, failures or delays to exercise such rights does not constitute a waiver of such rights.

REV.	DESCRIPTION	DRAWN	CHECKED	APPROVED
A	NEW RELEASE	JLZ 02/18/26'		



NOTES:

- Specification
 - .Current rating: 5A Max.
 - .Dielectric with standing voltage: 500V(AC)
 - .Contact resistance: 100mΩ Max.
 - .Insulation resistance: 1000MΩ(DC)Min
- Product number code:

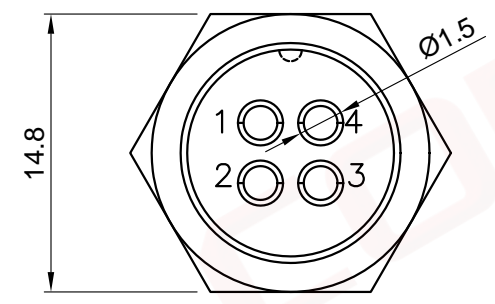
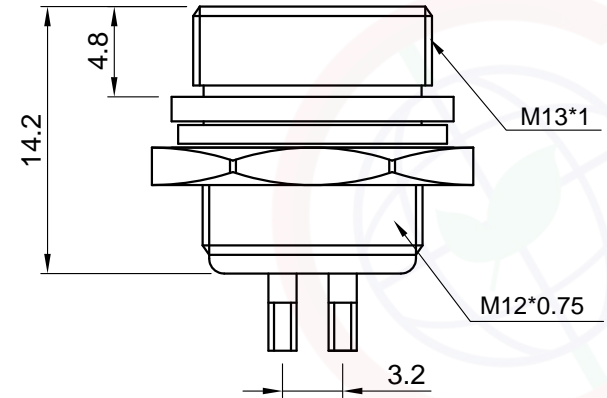
DS1110-01 - X X X X

 - Contact plating: 6: Silver, 8: Gold flash
 - Color of housing: B: Black
 - Connector type: F: Female
 - No. of contacts: 2: 2pin, 3: 3pin, 4: 4pin, 5: 5pin, 6: 6pin

GENERAL TOLERANCE		ANGLE TOLERANCE		PROJECTION		TITLE	
X.	±0.60	X.	±5°	UNITS	mm	MICRO JACK CONNECTOR	
.X	±0.38	.X	±3°	SHEET SIZE	A4	SERIES	DS1110-01 SERIES
.XX	±0.25	.XX	±2°	晨翔电子有限公司 CONNFLY CONNELY ELECTRONIC CO. LTD			
DRAWING TYPE		CUSTOMER					
SCALE	1:1	SHEET	2 OF 3				
DRAWING NO.		C-DS1110-01-XXXX-A					

The information provided herein is from CONNELY Electronic Co., Ltd. and is confidential. Any disclosure to a party other than the recipient is prohibited. The intellectual properties and its rights contained herein, including but not limited to, trademarks, patents, copyrights, trade secrets, and technical know-how, are owned exclusively by CONNELY or its affiliates. Unauthorized use or reproduction of any part of this document is strictly prohibited. CONNELY may enforce its intellectual property rights at its own discretion, failures or delays to exercise such rights does not constitute a waiver of such rights.

REV.	DESCRIPTION	DRAWN	CHECKED	APPROVED
A	NEW RELEASE	JLZ 02/18/26'		



NOTES:

- Specification
 - .Current rating: 5A Max.
 - .Dielectric with standing voltage: 500V(AC)
 - .Contact resistance: 100mΩ Max.
 - .Insulation resistance: 1000MΩ(DC)Min
- Product number code:

DS1110-01 - X X X X

 - Contact plating: 6: Silver, 8: Gold flash
 - Color of housing: B: Black
 - Connector type: M: Male
 - No. of contacts: 2: 2pin, 3: 3pin, 4: 4pin, 5: 5pin, 6: 6pin

GENERAL TOLERANCE		ANGLE TOLERANCE		PROJECTION		TITLE
X.	±0.60	X.	±5°	UNITS	mm	MICRO JACK CONNECTOR
.X	±0.38	.X	±3°	SHEET SIZE	A4	SERIES DS1110-01 SERIES
.XX	±0.25	.XX	±2°	晨翔电子有限公司 CONNFLY CONNELY ELECTRONIC CO. LTD		
DRAWING TYPE		CUSTOMER				
SCALE	1:1	SHEET	3 OF 3			
DRAWING NO.		C-DS1110-01-XXXX-A				