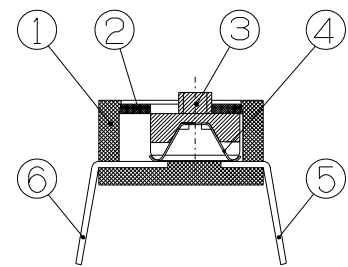
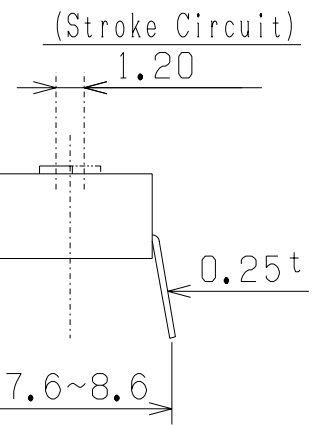
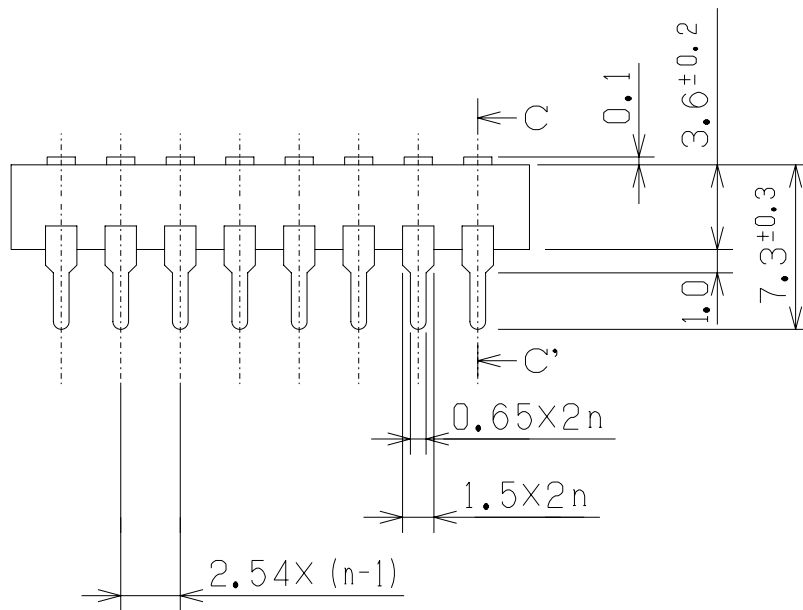


Type	Pole(n)	Dimension of L (mm)
SD-02ZF	2	6.80
SD-03ZF	3	9.40
SD-04ZF	4	12.00
SD-05ZF	5	14.50
SD-06ZF	6	17.00
SD-08ZF	8	22.00
SD-09ZF	9	24.50
SD-10ZF	10	27.00
SD-12ZF	12	32.00

ex. SD-08ZF
of Position "Off"



C-C' Position "On"

No	Parts Name	Materials	Remarks
1	Case (Base)	PBT Glass Fiber Resin	Mold Blue UL94V-0 E53829(M)
2	Cover Plate	Aluminium Plate	Anodised
3	Slide Knob	PBT Glass Fiber Resin	Mold Blue UL94V-0 E53829(M)
4	Contact (Spring)	Copper Alloy	t=0.1 0.1μ av. Gold Plating over 1μ av. Nickel Plating
5	Terminal #A	Phosphor Bronze	t=0.25 1~2μ Tin Plating over 0.1μ av. Copper Plating
6	Terminal #B		

△	
△	

Revisions

Unit:m/m	Tolerance	Designed	Drawn	Checked	Approved	Title	I. C. DIP
3rd Angle	1 > → ±0.1	T. Matsudaira	Y. Kamimae	K. Sakurai		Series Name	SD-ZF
	1 ≤ 10 ≥ → ±0.2	1985, 10, 16,	2000, 10, 18,	2001, 06, 08,			
	10 < → ±0.3	Maruwa Corporation			DWG. No.	MCG-SD01E △	