

Applications

- Switch-mode power supplies
- Soft-start motors, e.g. in vacuum cleaners

Features

- Useable in series connections
up to 265 V_{RMS}
- Coated thermistor disk
- Kinked leads of tinned copper wire
- High energy absorption capability
- Manufacturer's logo, NTC and resistance value stamped on

Options

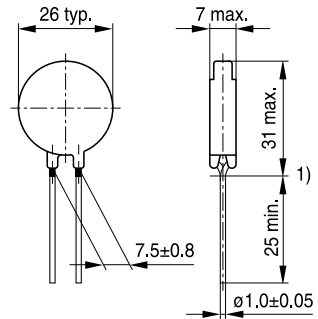
Resistance tolerance <20%, alternative lead configurations and resistance ratings available on request

Delivery mode

Bulk

General technical data

Climatic category	(IEC 60068-1)		55/170/21	
Max. power	(at 25 °C)	P_{max}	6.7	W
Resistance tolerance		$\Delta R_R/R_R$	±20	%
Rated temperature		T_R	25	°C
Dissipation factor	(in air)	δ_{th}	approx. 30	mW/K
Thermal cooling time constant	(in air)	τ_c	approx. 130	s
Heat capacity		C_{th}	approx. 3900	mJ/K

Dimensional drawing


1) Seating plane to IEC 60717

ICL0042-G-E

Dimensions in mm

Approx. weight 9 g

Electrical specification and ordering codes

R_{25}	I_{max} (0...65 °C)	$C_{test}^{(1)}$ 230 V AC	$C_{test}^{(1)}$ 110 V AC	R_{min} (@ I_{max} , 25 °C)	Ordering code
Ω	A	μF	μF	Ω	
1	20	2500	10000	0.018	B57464S0109M000
2	13.5	2500	10000	0.037	B57464S0209M000
5	9.5	2500	10000	0.071	B57464S0509M000
10	8.0	2500	10000	0.101	B57464S0100M000

1) For details on the capacitance C_{test} please refer to "Application notes", chapter 1.6.