

# Data Sheet

**4378**

N Type Male to Female Surge protector

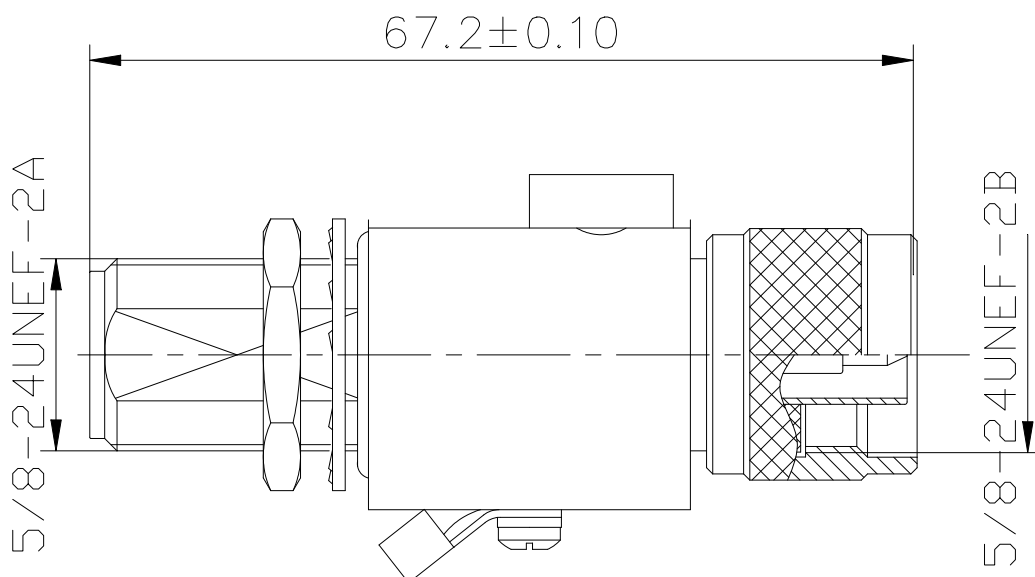
(Protector contra sobretensiones tipo N macho a hembra)

**Lightning Arrestor  
(Pararrayos)**



- One side: N male
- Other side: N female bulkhead
- Body Nickel plated
- Center conductor Gold plated
- 90V/230V/350V/600V

## Dimensions and Diagrams



# Data Sheet

## Electrical Specifications

Category	Specifications
N Type Female to Female BH	N Type Male to Female BH
Freq Range	0 - 6G
VSWR	$\leq 1.3:1(0-6G)$
Insertion Loss	<0.4dB
Impedance	50 OHMS
Gas Tube Breakdown Voltage	90V/230V/350V/600V

## Mechanical Specifications

Category	Specifications
Connectors	N Male to Bulkhead N Female
Connector Body Material	Nickel Plated Brass
Body Material	Nickel Plated Brass
Pin Material	Gold Plated Brass
O-Ring Material	Rubber
Dimensions(L x H x W)	26.46x8.94x8.94 (67.2x22.7x22.7mm)
Weight	0.286lbs (0.13kg)
Operating Temperature	-67° F to 311° F (-55°C to +155°C)
ROHS Compliant	Yes