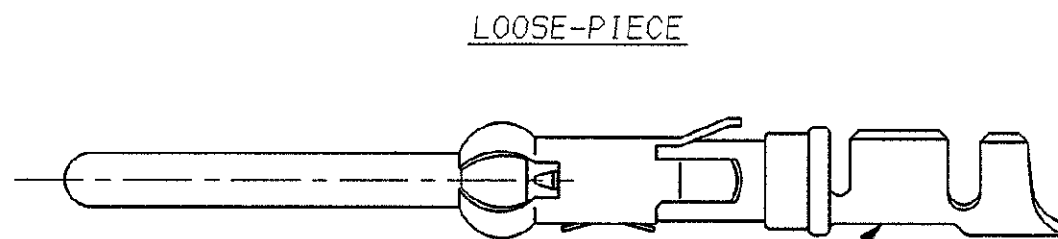
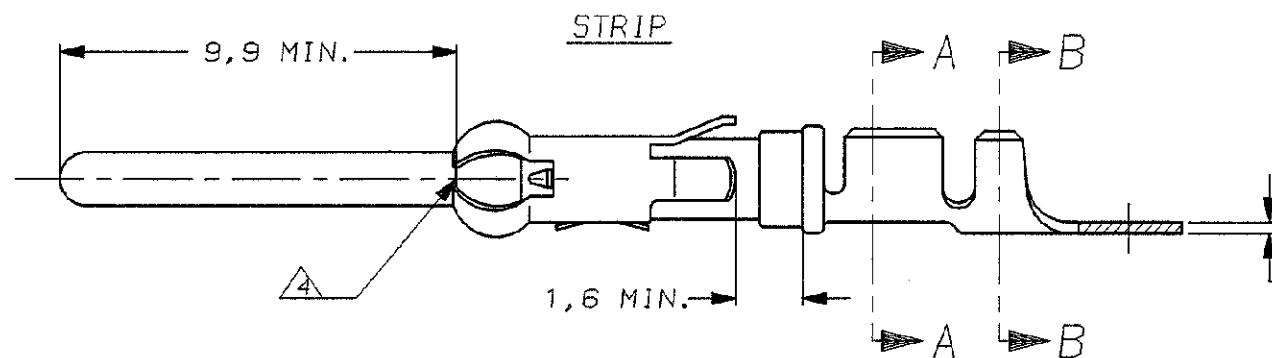
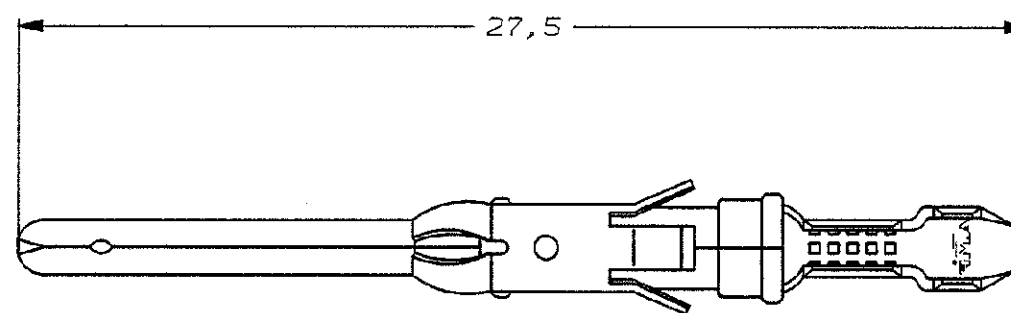
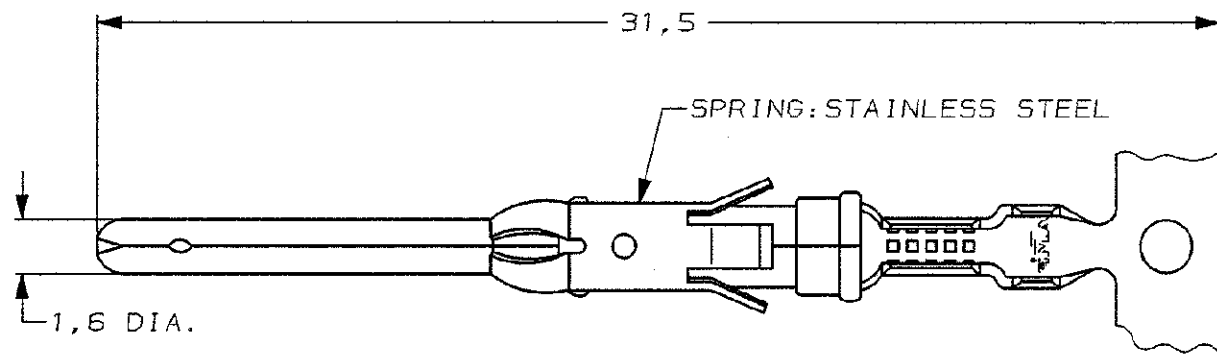
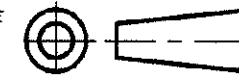


DO NOT SCALE

DIMENSIONS IN mm

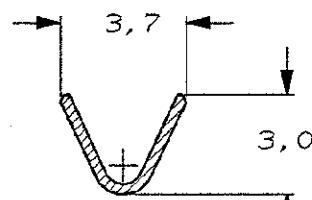
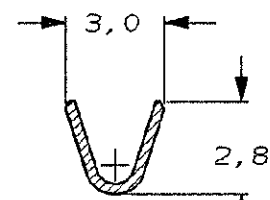
METRIC

THIRD ANGLE
PROJECTION



0,32 MATR.
THICKNESS

COLOR CODE: BLUE



SECTION A-A

SECTION B-B

WIRE RANGE : 0,75-1,50 mm² (18-16 AWG)
INSUL. RANGE : 2,0-2,5 mm (.080-.100)

6	OBSOLETE	5-163081-3	A	C		BRASS	ECON. GOLD	21
6	OBSOLETE	5-163081-2	A	C		BRASS	SEL. GOLD	22
		5-163081-1	A	C		BRASS	EL. TIN	20
6	OBSOLETE	1-163081-8	A	A	1-163082-8	BRASS	TIN/LEAD	30
		1-163081-7	A	A		BRASS	SILVER	28
6	OBSOLETE	1-163081-6	A	B	1-163082-6	BRASS	SILVER	28
		1-163081-5	A	A		PH. BRONZE	PRE-TIN	
		1-163081-4	A	B		PH. BRONZE	PRE-TIN	
		1-163081-3	A	A		BRASS	PRE-TIN	
		1-163081-2	A	B		BRASS	PRE-TIN	
		1-163081-1	A	A	1-163082-0	BRASS	ECON. GOLD	21
		1-163081-0	A	B		BRASS	ECON. GOLD	21
		163081-9	A	A	1-163082-1	BRASS	EL. TIN	31 20
		163081-8	A	A		BRASS	EL. TIN	20
		163081-7	A	A		BRASS	SEL. GOLD	22
		163081-2	A	B	163082-2	BRASS	SEL. GOLD	22
		163081-1	A	B	163082-1	BRASS	EL. TIN	20

DIRECTION OFF TOP OF REEL	
AMPOMATOR + MINI-APPL. 107-3-FIG.1	A
107-3-FIG.2	B
107-3-FIG.4	C

NOTES	MATERIAL	THICKNESS	AREA
20	TIN	2,0 μm	ALL OVER
21	NICKEL GOLD TIN/LEAD	0,8 μm	ALL OVER CONTACT AREA BARREL
22	NICKEL GOLD GOLD	0,8 μm	ALL OVER CONTACT AREA ALL OVER
23	NICKEL GOLD GOLD	1,2 μm	ALL OVER CONTACT AREA ALL OVER
27	NICKEL SILVER TIN/LEAD	2,5 μm	ALL OVER CONTACT AREA BARREL
28	SILVER NICKEL	1,5-2,5 μm 0,76 μm	ALL OVER ALL OVER
29	SILVER	2,5 μm	ALL OVER
30	NICKEL TIN/LEAD	1,27 μm 1,27 μm	ALL OVER ALL OVER
31	LUBRICATED		

AW2	ECR-10-022205	KK	HMR	02FEB11
AW1	REVISED PER ECO-10-000444	KK	AEG	11JAN10
AW	EBD0-0335-04	JMS	FWK	02-08-04
W	EH-1347-96	JvL	RV	21-11-96
V	EH-0302-94	JvL	MvD	03-05-94
U	ECN H-9813	JvdH	RD	18-05-92
T	ECN H-9192	MvD	RD	09-10-91
LTR.	REVISION RECORD	DR.	CHK.	DATE

CUSTOMER DRAWING FOR REFERENCE ONLY
WILL NOT BE UPDATED

© COPYRIGHT 19- BY AMP HOLLAND B.V.
ALL INTERNATIONAL RIGHTS RESERVED. AMP PRODUCTS MAY BE
COVERED BY U.S. AND FOREIGN AND/OR PATENTS PENDING.
THIS DRAWING IS UNPUBLISHED
RELEASED FOR PUBLICATION

Tyco Electronics Tyco Electronics Corporation
's-Hertogenbosch, Nederland

PIN TYPE III CONTACT
SIZE 16

DR.:	-	CHK.:	-	APP.:	-	DWG. No.	163081	REV. LTR.	AW2	SHEET	1 OF 1	A3
DATE:	-	DATE:	-	DATE:	-							

- NOTES :
- 1 U.L. RECONIZED UNDER FILE E28476 VOL. VI SEC. I .
 - 2 FOR CRIMPDETAILS SEE TE -SPEC. 114-19.000 .
 - 3 MEETS PRODUCTSPECIFICATION 108-10042.
 - 4 0,40 MAX. GAP BETWEEN SPRING-NOSE AND CONTACT BODY.
 - 5 SPECIAL REEL WITH 200 PCS FOR REEL-FED HANDTOOL.
 - 6 OBSOLETE PARTS: OBSOLETE CIS STREAMLINING PER D.RENAUD/D.SINISI
 - 7 OBSOLETE
 - 8 SUPERSEDED BY 1-66098-8