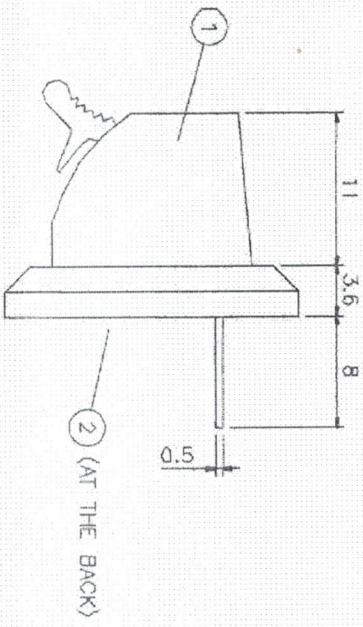


Color layout
(Front View)



- R : Red
- G : Green
- B : Black
- H : Hoor
- W : White
- GY : Grey
- BL : Blue



NO.	COMPONENTS	MATERIAL	QTY.	SURFACE FINISH/SPEC.
5	TERMINAL	C289QR:0.5	2	SN PLATED
4	KNOB	ABS 94HB	1	RED
3	KNGB	ABS 94HB	1	BLACK
2	COVER	ABS 94HB	1	BLACK
1	HOUSINGS	ABS 94HB	1	BLACK