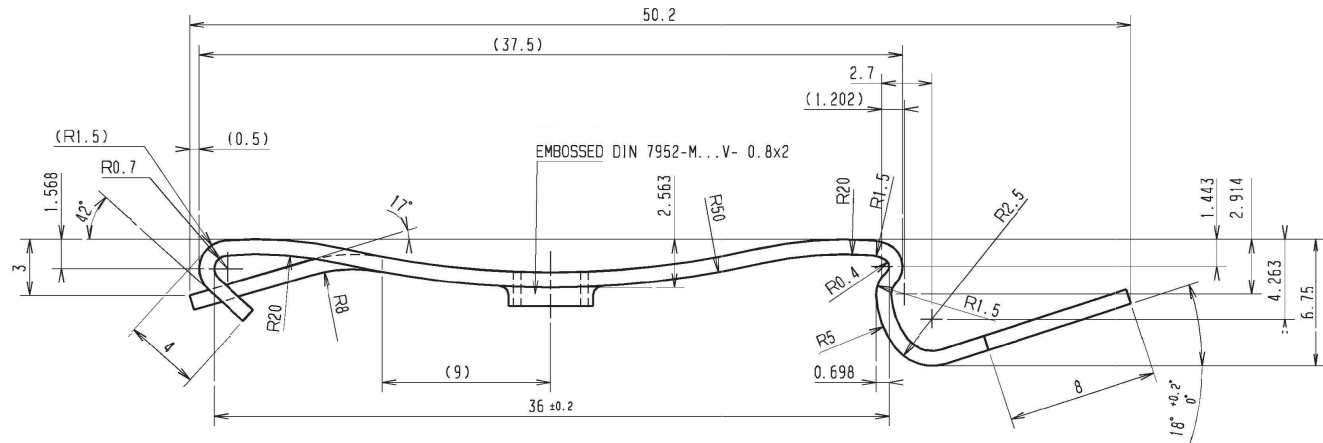
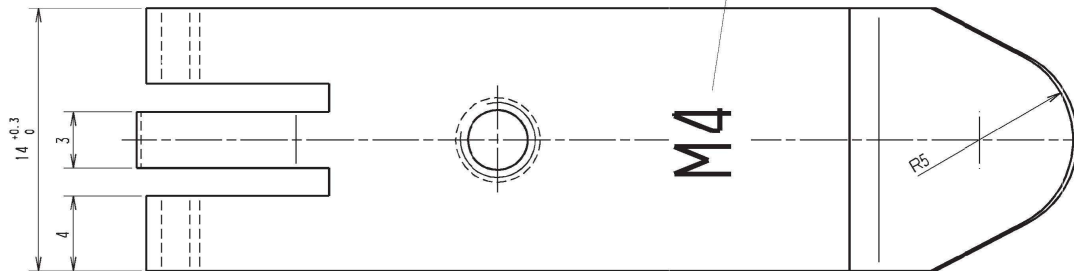


PROTECTION REMARK DIN 34 MUST BE OBSERVED

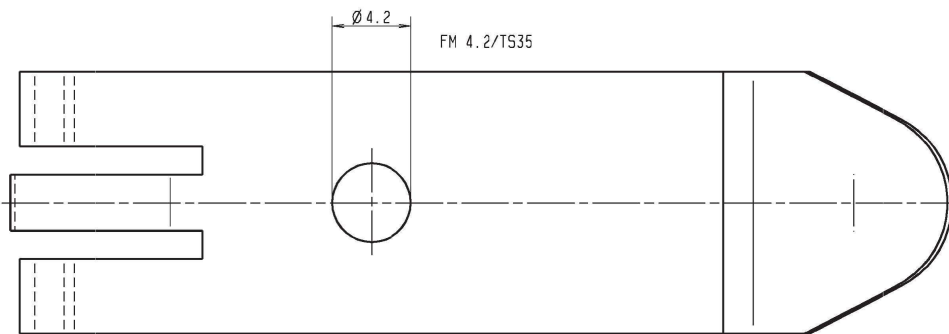


COINED ACCORDING TO THREAD SIZE, NARROW FONT 3, WN 2 04 001



+0.05

EDGES DIN 6784



CUSTOMER	STAN. PACK	MAT. NO.	PART NAME	CAT. NO.
40	5	4133250000	FM 4/TS35	...

MATERIAL:		PART NO.:		MAT. NO.:		CAT. NO.:	
BD 0.8 x ...		FINISH TO WN 2 11 001		FINISH: ELECTROPLATED CU1-2 N14-6		SURFACE AREA: 1560 mm ²	
C75 LG BK GF		GENERAL TOLERANCES:		TOLERANCES TO ISO 8015			
{DIN 17222}		<input checked="" type="checkbox"/> DIN 7168-m		<input type="checkbox"/> WN 2 12 010		<input type="checkbox"/> ISO 2768-m	
TLB .		MODIFICATION		DRAWING NO.		ISSUE NO.	
R. PART NO.:		DATE		NAME		5	
SCALE: 4/1		DRAWN		28.01.2000		FUS-DINCLIP ASSEMBLY FOOT	
SUPERSEDES:		RESPONSIBLE					
SUPERSEDED BY:		CHECKED		05.02.2001			
		APPROVED				PRODUCT FILE:	

L