



Bantam plug



Dual bantam plug



Gold plated contacts



Easy connector assembly

## 0.173" Bantam Type Miniature Plugs



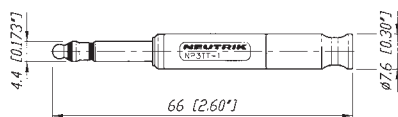
NP3TT-1-B



NP3TT-2

- Very robust ergonomic design
- Gold contact version in combination with the NJ3TTA jack eliminates contact problems due to corrosion or dirt
- The single plug NP3TT-P and the dual bantam plug NP3TT-2 are made for assembling with a standard HEX crimping tool as used with coax cables
- Solder termination for T + R, crimp termination for sleeve contact

NP3TT-1



NP3TT-P



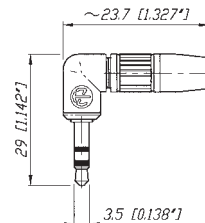
## 3.5 mm Right-Angle Stereo Plug



NTP3RC

- The only available 3.5 mm plug with chuck type strain relief
- All metal housing - reliable and robust
- Easy to assemble, simple to use
- Slim design - space saving
- Excellent cable protection
- All Nickel or black housing, available with gold plated contacts

NTP3RC



## Specifications

1/4" Phone Plugs SILENT & CRYSTAL timbrePLUG & jumboPLUG	MIL / B-Gauge Type	0.173" Bantam Type	3.5 mm Stereo Plugs
--	--------------------	--------------------	---------------------

## Electrical

Rated current:	depends on mating connector	●	●	●	●
Contact resistance:	depends on mating connector	●	●	●	●
Insulation resistance:	- initial:	> 2 GΩ	●	●	●
	- after damp heat test:	≥ 1 GΩ	●	●	●
Dielectric strength	1 kV dc	●	●	●	●

## Mechanical

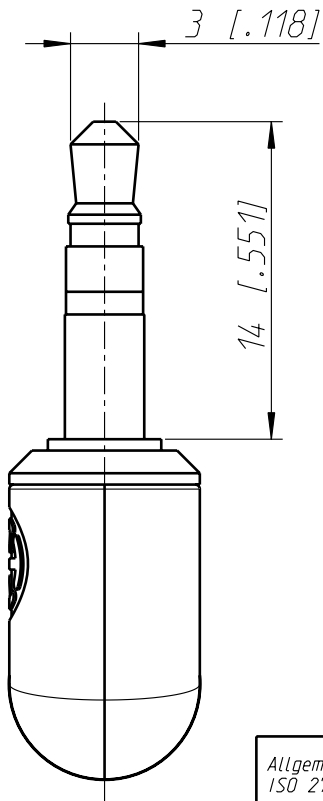
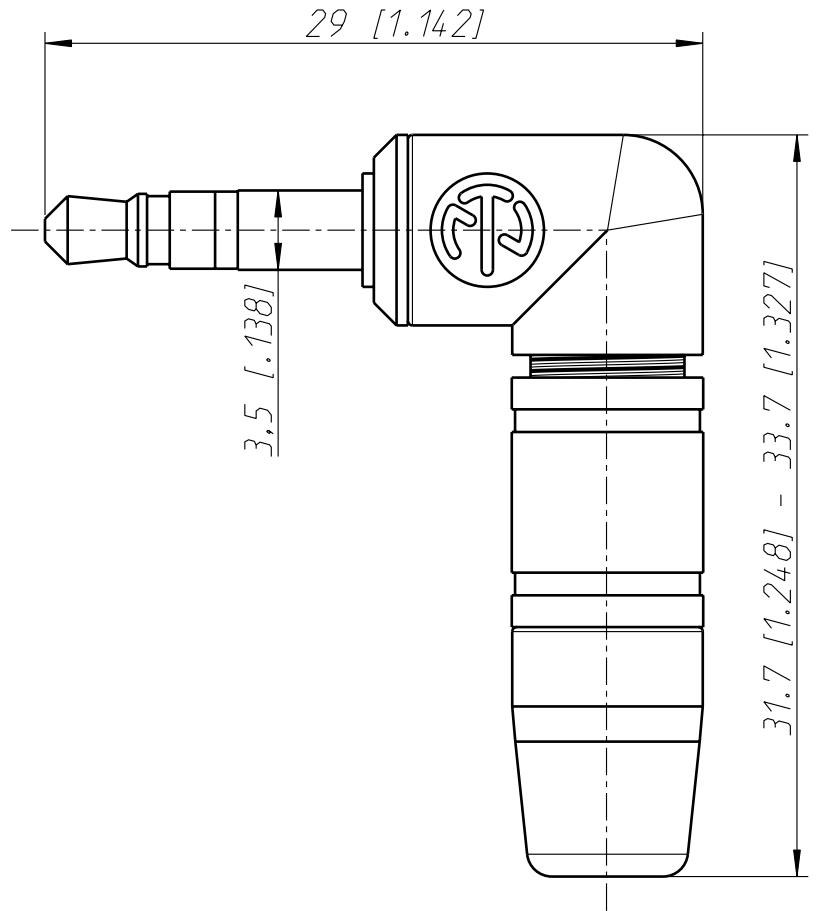
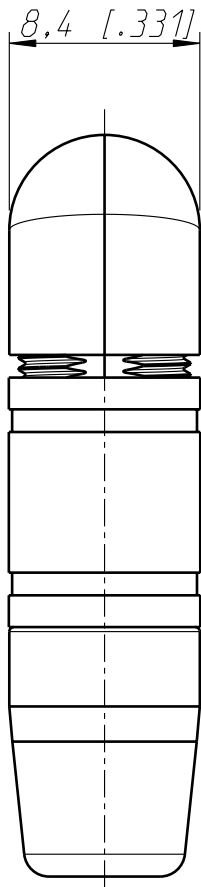
Lifetime > 1'000 mating cycles	●	●	●	●	
Wiring:	solder terminals	●	●	●	
Wire size	mm <sup>2</sup>	1	1 (NP3CM: 0.5)	0.25	0.22
	AWG	18	18 (NP3CM: 20)	24	24
Cable O.D.:	mm	4 – 7 (≤ 10: NP*XL)	4 – 7	4 – 4.8	2 – 4.5

## Materials

Shell:	Zinc diecast (ZnAl4Cu1) Ni or black Cr plated	Brass (CuZn39Pb3) black or red coated	Brass (CuZn39Pb3) 2 μm Ni (Su) plated PA 6 30 % GR	Zinc diecast (ZnAl4Cu1) Ni or black Cr plated PA 6.6 15% GR
Insulation:	Polyamide (PA 6.6 30 % GR)	●	●	●
Contacts:	Brass (CuZn39Pb3) 2 μm Ni (Su) or Au plated	●	● or Brass	● (Tip: CuSn6) 2 μm TRIBOR® (NiP-AuCo)
Chuck:	POM	POM	-	POM
Bushing:	POM + PU	-	-	CuZn39Pb3 + PU (Ni or black Chrome)
Rubber shell-overlay:	EPDM	-	-	-

## Environmental

Temperature range:	-20 °C to +65 °C	●	●	●	●
Solderability:	Complies with IEC 68-2-20	●	●	●	●



Allgemeintoleranzen ISO 2768-m	Werkstoff -	Massstab: 3:1 (A4)	Datum	Name
			Gezeichnet 30.01.03	Mijatovic
Zeichnung urheberrechtlich geschuetzt (DIN 34) (C)	-		Freigegeben	-
			Geaendert 30.07.12	Dobler
Benennung NTP3RC NTP3RC			Aend.-Nr. 26-2012	Aend.-Index A
			Ersatz fuer:	
NEUTRIK AG FL-9494 SCHAAN			Zeichn. Nr. ST-NTP3RC	