



Right angle male connector



High temperature resistant insulator

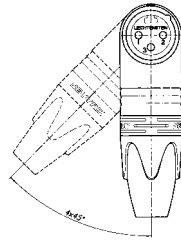


Velour chromium housing

## RX Series



NC3FRX-BAG



Outlet position

- Right angle version of the XX Series – only 20 mm wide
- Extra slim right-angle connector
- Neutrik chuck type strain relief
- 5 selectable cable outlet positions

## XX-HE Series



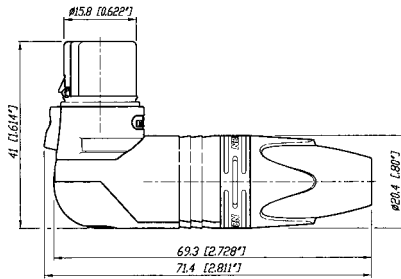
NC3FXX-HE



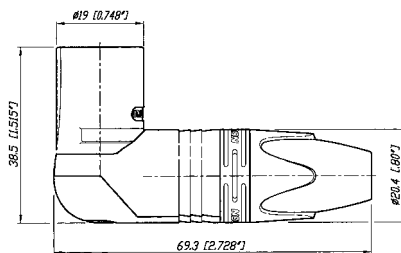
NC3MXX-HE

- Exclusive "High End" version of standard XX Series
- Premium velour chromium plating provides soft satin finish
- Extra high temperature resistant insulator material rated to 280 °C (536 °F), flammability UL94V-0
- Machined female contacts standard
- Insert is dark grey to distinguish it from standard XX-Series insulators
- Flammability UL 94V-0

### NC\*FRX

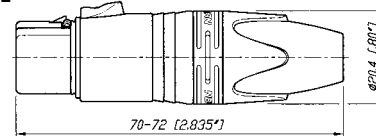


### NC\*MRX

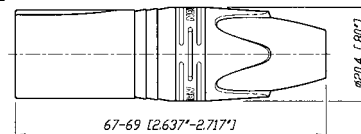


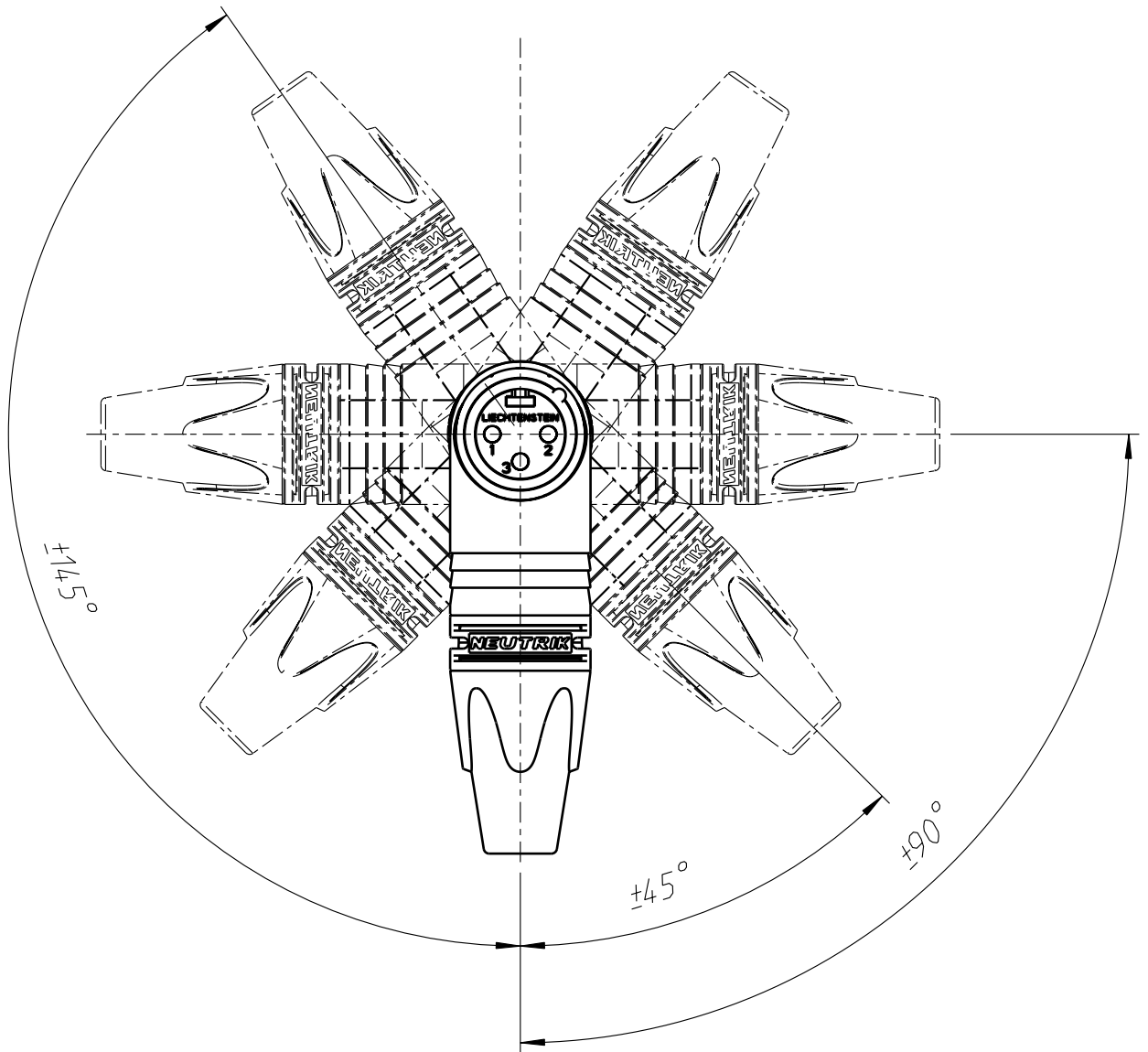
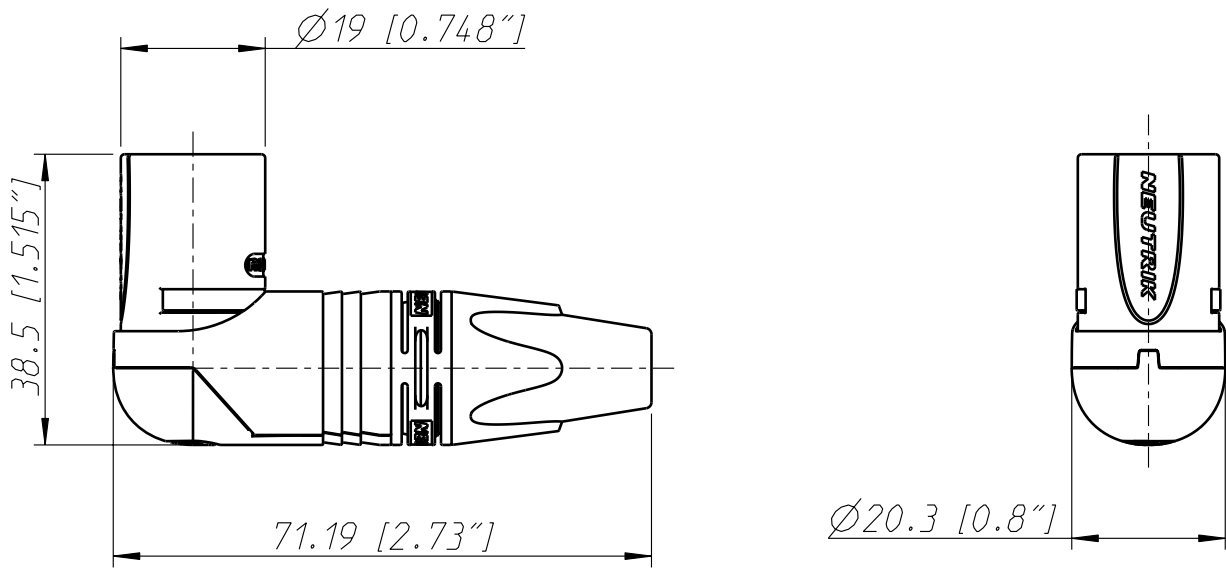
\*: 3 - 7 contacts

### NC3FXX-HE



### NC3MXX-HE





Allgemeintoleranzen ISO 2768-m	Werkstoff KEIN_MAT	Massstab: 1:1 (A4)	Gezeichnet	Datum	Name
			Freigegeben	30.03.05	jutz b
Zeichnung urheberrechtlich geschuetzt (DIN 34) (C)	-		Geändert	-	-
			Aend.-Nr.	-	Aend.-Index
Benennung RX-Serie NC 3MRX			Ersatz fuer:	Blatt 1 von 2 Bl.	
			Zeichn. Nr.	ST-NC 3MRX	
NEUTRIK AG FL-9494 SCHAAN					