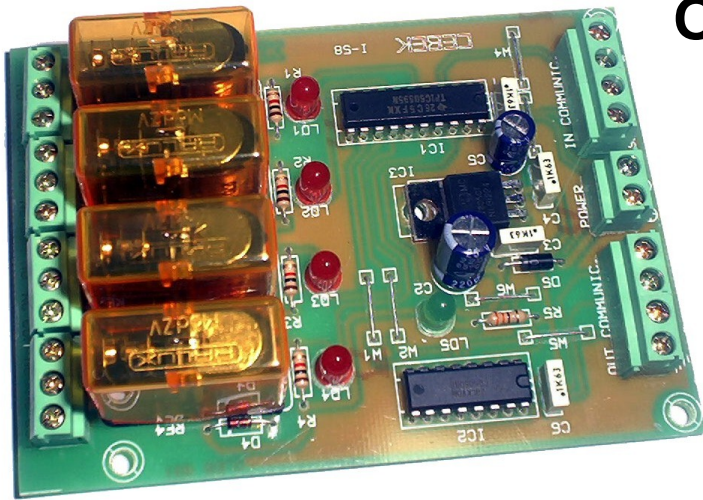


EXPANSION MODULE 4 OUTPUTS FOR MASTER I-57

I-58



TECHNICAL CHARACTERISTICS

Supply Voltage	12V.DC
Consumption Min / Max	5mA/250mA.
Max output load. permissible relay	5A.
Reverse polarity protection (PIP)	Si.
Size	107 x 76 x 30 mm.

The I-58 is a module for 4 outputs expand the capacity of a sequential system based on the I-57. Incorporates communication output and LED indicators con various extensions. Lets be adapted to Rail-Din C-7585.

INSTALLATION

POWER SUPPLY: it must be fed a perfectly stabilized voltage of 12V. DC, so we recommend not using simple power supply, which adversely affect the operation of the module, if not a source of food. We suggest the FE-121, which is well suited to the needs of the circuit.

Use the FE-113 only to feed the I-58. If you want to use the same power supply for the I-57 and expansion modules, shall take into account the sum of maximum total of all of them, sizing the power supply accordingly. Install a switch on the power input as shown in the documentation of the FE-113, along usable alf of the source, both are essential to protect the module for your own safety, as reflected in the CE standard.

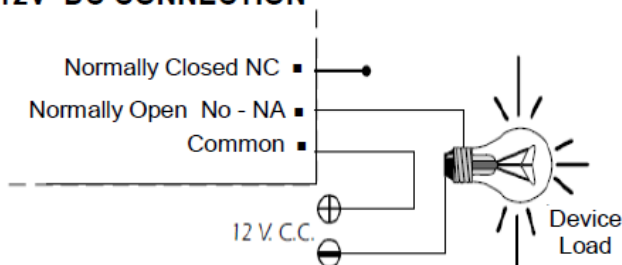
Queried the provision of the outputs of the source, one positive and the negative of the entries for this module. See illustration in Fig. 2. The distance between the power supply to the circuit as short as possible. Before proceeding, make sure the installation was successful.

Outgoing connections. LOAD. The outputs of the I-58 is performed by relays, devices electrically isolated from the rest of the circuit, that allow any type of load does not exceed 5A. The relay is not a component that provides power, but its role is limited to give way or cut off power to it

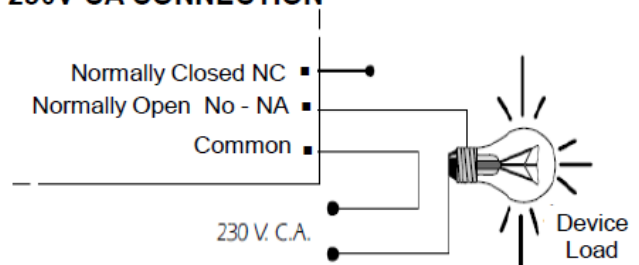
introduced in the same manner as a standard switch. Therefore, to supply the load Through this device. The relay has three output terminals: the common, the rest normally open (NO), and the rest normally closed (NC). Install it between the Common and NO, as specified in the scheme of fig.1.

Additionally, you can perform the inverse function, setting the load between the Common and the NC.

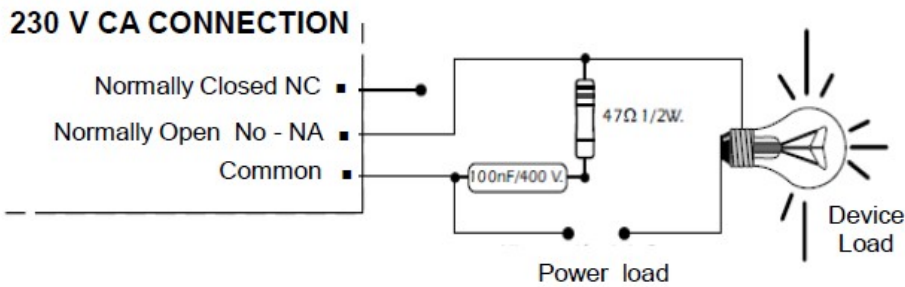
12V DC CONNECTION



230V CA CONNECTION



ABOUT THE OUTPUT: During operation of the circuit, and according to its load, may cause a fluctuation or an incorrect output performance. If this happens, install an anti-spark circuit (X2 type capacitor 100 and resistance nF/400 V. 47. ½ W.), between contacts of the relay used in this connection, as illustrated



CONNECTION BETWEEN MODULES

The modular sequence of Cebek should be formed by a single I-57 and many expansion modules I-58 or I-59 as required, to set up 256 outputs.

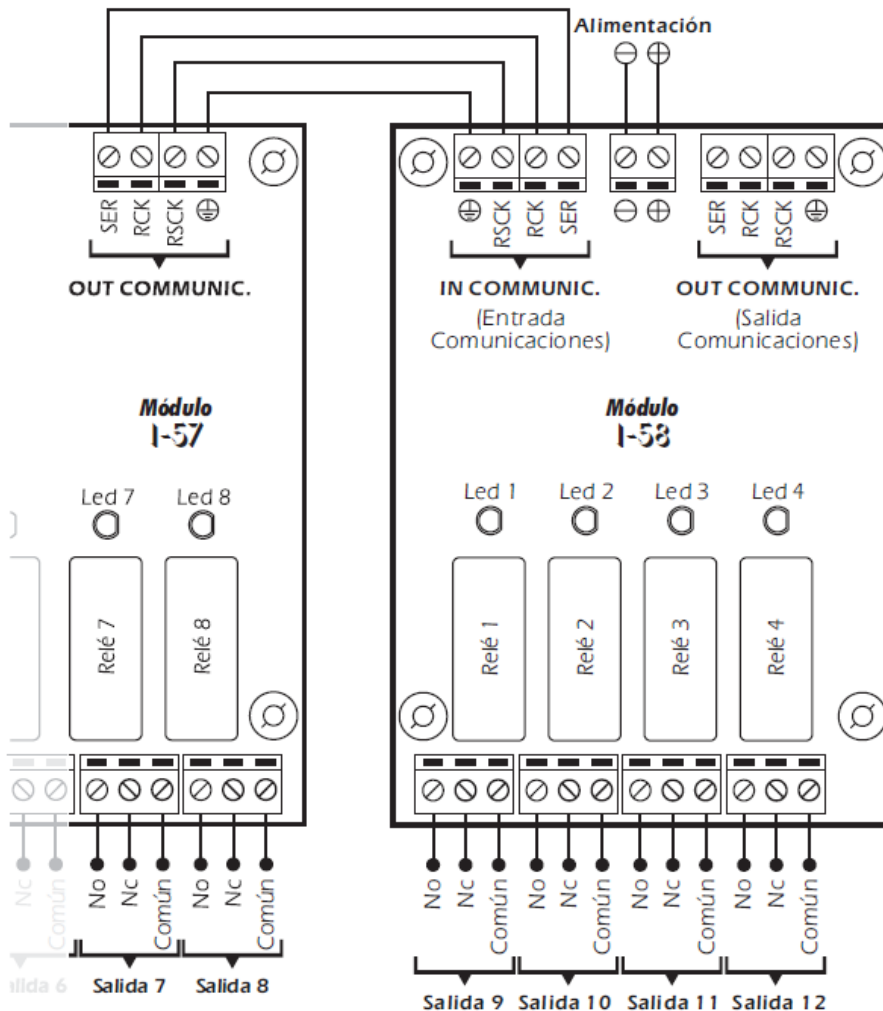
Except in the I-57, as a main control circuit, all the expansion modules have an input and an output for connecting communication in series (cascade), among the various extensions. The order of connection between I-58 extensions or I-59 has no relevance and can be alternated with each other.

Connect the communication input I-58, formed by terminals: SER, RCK RSCK and mass to the corresponding output of the last module dec OMMUNICATION employee, or failing that the I-57, if this is the only circuit system. See illustration in Fig. 2.

In this connection attempt the length of cable used does not exceed 30 cm, from or otherwise must use shielded cable, using the braid for connection of the mass. In any case the distance may not exceed a maximum of 60cm. The output of the I-58 should be no installation, pending a future connection to another extension module.

Once the installation between the circuits and their associated power, you must configure the I-57, as specified by documentation, stating the number of control system outputs. In the section Chart

Correspondence Decimal - Binary find all binary combinations to set any extension. Assigns the corresponding combination in the module I-57.



	1	2	3	4	5	6	7	8
1 →	0	0	0	0	0	0	0	0
2 →	1	0	0	0	0	0	0	0
3 →	0	1	0	0	0	0	0	0
4 →	1	1	0	0	0	0	0	0
5 →	0	0	1	0	0	0	0	0
6 →	1	0	1	0	0	0	0	0
7 →	0	1	1	0	0	0	0	0
8 →	1	1	1	0	0	0	0	0
9 →	0	0	0	1	0	0	0	0
10 →	1	0	0	1	0	0	0	0
11 →	0	1	0	1	0	0	0	0
12 →	1	1	0	1	0	0	0	0
13 →	0	0	1	1	0	0	0	0
14 →	1	0	1	1	0	0	0	0
15 →	0	1	1	1	0	0	0	0
16 →	1	1	1	1	0	0	0	0
17 →	0	0	0	0	1	0	0	0
18 →	1	0	0	0	1	0	0	0
19 →	0	1	0	0	1	0	0	0
20 →	1	1	0	0	1	0	0	0
21 →	0	0	1	0	1	0	0	0
22 →	1	0	1	0	1	0	0	0
23 →	0	1	1	0	1	0	0	0
24 →	1	1	1	0	1	0	0	0
25 →	0	0	0	1	1	0	0	0
26 →	1	0	0	1	1	0	0	0
27 →	0	1	0	1	1	0	0	0
28 →	1	1	0	1	1	0	0	0
29 →	0	0	1	1	1	0	0	0
30 →	1	0	1	1	1	0	0	0
31 →	0	1	1	1	1	0	0	0
32 →	1	1	1	1	1	0	0	0
33 →	0	0	0	0	0	1	0	0
34 →	1	0	0	0	0	1	0	0
35 →	0	1	0	0	0	1	0	0
36 →	1	1	0	0	0	1	0	0
37 →	0	0	1	0	0	1	0	0
38 →	1	0	1	0	0	1	0	0
39 →	0	1	1	0	0	1	0	0
40 →	1	1	1	0	0	1	0	0
41 →	0	0	0	1	0	1	0	0
42 →	1	0	0	1	0	1	0	0
43 →	0	1	0	1	0	1	0	0
44 →	1	1	0	1	0	1	0	0
45 →	0	0	1	1	0	1	0	0
46 →	1	0	1	1	0	1	0	0
47 →	0	1	1	1	0	1	0	0
48 →	1	1	1	1	0	1	0	0
49 →	0	0	0	0	1	1	0	0
50 →	1	0	0	0	1	1	0	0
51 →	0	1	0	0	1	1	0	0
52 →	1	1	0	0	1	1	0	0
53 →	0	0	1	0	1	1	0	0
54 →	1	0	1	0	1	1	0	0
55 →	0	1	1	0	1	1	0	0
56 →	1	1	1	0	1	1	0	0
57 →	0	0	0	1	1	1	0	0
58 →	1	0	0	1	1	1	0	0
59 →	0	1	0	1	1	1	0	0
60 →	1	1	0	1	1	1	0	0
61 →	0	0	1	1	1	1	0	0
62 →	1	0	1	1	1	1	0	0
63 →	0	1	1	1	1	1	0	0
64 →	1	1	1	1	1	1	0	0

65 →	0	0	0	0	0	0	1	0
66 →	1	0	0	0	0	0	1	0
67 →	0	1	0	0	0	0	1	0
68 →	1	1	0	0	0	0	1	0
69 →	0	0	1	0	0	0	1	0
70 →	1	0	1	0	0	0	1	0
71 →	0	1	1	0	0	0	1	0
72 →	1	1	1	0	0	0	1	0
73 →	0	0	0	1	0	0	1	0
74 →	1	0	0	1	0	0	1	0
75 →	0	1	0	1	0	0	1	0
76 →	1	1	0	1	0	0	1	0
77 →	0	0	1	1	0	0	1	0
78 →	1	0	1	1	0	0	1	0
79 →	0	1	1	1	0	0	1	0
80 →	1	1	1	1	0	0	1	0
81 →	0	0	0	0	1	0	1	0
82 →	1	0	0	0	1	0	1	0
83 →	0	1	0	0	1	0	1	0
84 →	1	1	0	0	1	0	1	0
85 →	0	0	1	0	1	0	1	0
86 →	1	0	1	0	1	0	1	0
87 →	0	1	1	0	1	0	1	0
88 →	1	1	1	0	1	0	1	0
89 →	0	0	0	1	1	0	1	0
90 →	1	0	0	1	1	0	1	0
91 →	0	1	0	1	1	0	1	0
92 →	1	1	0	1	1	0	1	0
93 →	0	0	1	1	1	0	1	0
94 →	1	0	1	1	1	0	1	0
95 →	0	1	1	1	1	0	1	0
96 →	1	1	1	1	1	0	1	0
97 →	0	0	0	0	0	1	1	0
98 →	1	0	0	0	0	1	1	0
99 →	0	1	0	0	0	1	1	0
100 →	1	1	0	0	0	1	1	0
101 →	0	0	1	0	0	1	1	0
102 →	1	0	1	0	0	1	1	0
103 →	0	1	1	0	0	1	1	0
104 →	1	1	1	0	0	1	1	0
105 →	0	0	0	1	0	1	1	0
106 →	1	0	0	1	0	1	1	0
107 →	0	1	0	1	0	1	1	0
108 →	1	1	0	1	0	1	1	0
109 →	0	0	1	1	0	1	1	0
110 →	1	0	1	1	0	1	1	0
111 →	0	1	1	1	0	1	1	0
112 →	1	1	1	1	0	1	1	0
113 →	0	0	0	0	1	1	1	0
114 →	1	0	0	0	1	1	1	0
115 →	0	1	0	0	1	1	1	0
116 →	1	1	0	0	1	1	1	0
117 →	0	0	1	0	1	1	1	0
118 →	1	0	1	0	1	1	1	0
119 →	0	1	1	0	1	1	1	0
120 →	1	1	1	0	1	1	1	0
121 →	0	0	0	1	1	1	1	0
122 →	1	0	0	1	1	1	1	0
123 →	0	1	0	1	1	1	1	0
124 →	1	1	0	1	1	1	1	0
125 →	0	0	1	1	1	1	1	0
126 →	1	0	1	1	1	1	1	0
127 →	0	1	1	1	1	1	1	0
128 →	1	1	1	1	1	1	1	0

	1	2	3	4	5	6	7	8
129	0	0	0	0	0	0	0	1
130	1	0	0	0	0	0	0	1
131	0	1	0	0	0	0	0	1
132	1	1	0	0	0	0	0	1
133	0	0	1	0	0	0	0	1
134	1	0	1	0	0	0	0	1
135	0	1	1	0	0	0	0	1
136	1	1	1	0	0	0	0	1
137	0	0	0	1	0	0	0	1
138	1	0	0	1	0	0	0	1
139	0	1	0	1	0	0	0	1
140	1	1	0	1	0	0	0	1
141	0	0	1	1	0	0	0	1
142	1	0	1	1	0	0	0	1
143	0	1	1	1	0	0	0	1
144	1	1	1	1	0	0	0	1
145	0	0	0	0	1	0	0	1
146	1	0	0	0	1	0	0	1
147	0	1	0	0	1	0	0	1
148	1	1	0	0	1	0	0	1
149	0	0	1	0	1	0	0	1
150	1	0	1	0	1	0	0	1
151	0	1	1	0	1	0	0	1
152	1	1	1	0	1	0	0	1
153	0	0	0	1	1	0	0	1
154	1	0	0	1	1	0	0	1
155	0	1	0	1	1	0	0	1
156	1	1	0	1	1	0	0	1
157	0	0	1	1	1	0	0	1
158	1	0	1	1	1	0	0	1
159	0	1	1	1	1	0	0	1
160	1	1	1	1	1	0	0	1
161	0	0	0	0	0	1	0	1
162	1	0	0	0	0	1	0	1
163	0	1	0	0	0	1	0	1
164	1	1	0	0	0	1	0	1
165	0	0	1	0	0	1	0	1
166	1	0	1	0	0	1	0	1
167	0	1	1	0	0	1	0	1
168	1	1	1	0	0	1	0	1
169	0	0	0	1	0	1	0	1
170	1	0	0	1	0	1	0	1
171	0	1	0	1	0	1	0	1
172	1	1	0	1	0	1	0	1
173	0	0	1	1	0	1	0	1
174	1	0	1	1	0	1	0	1
175	0	1	1	1	0	1	0	1
176	1	1	1	1	0	1	0	1
177	0	0	0	0	1	1	0	1
178	1	0	0	0	1	1	0	1
179	0	1	0	0	1	1	0	1
180	1	1	0	0	1	1	0	1
181	0	0	1	0	1	1	0	1
182	1	0	1	0	1	1	0	1
183	0	1	1	0	1	1	0	1
184	1	1	1	0	1	1	0	1
185	0	0	0	1	1	1	0	1
186	1	0	0	1	1	1	0	1
187	0	1	0	1	1	1	0	1
188	1	1	0	1	1	1	0	1
189	0	0	1	1	1	1	0	1
190	1	0	1	1	1	1	0	1
191	0	1	1	1	1	1	0	1
192	1	1	1	1	1	1	0	1

193	0	0	0	0	0	0	1	1
194	1	0	0	0	0	0	1	1
195	0	1	0	0	0	0	1	1
196	1	1	0	0	0	0	1	1
197	0	0	1	0	0	0	1	1
198	1	0	1	0	0	0	1	1
199	0	1	1	0	0	0	1	1
200	1	1	1	0	0	0	1	1
201	0	0	0	1	0	0	1	1
202	1	0	0	1	0	0	1	1
203	0	1	0	1	0	0	1	1
204	1	1	0	1	0	0	1	1
205	0	0	1	1	0	0	1	1
206	1	0	1	1	0	0	1	1
207	0	1	1	1	0	0	1	1
208	1	1	1	1	0	0	1	1
209	0	0	0	0	1	0	1	1
210	1	0	0	0	1	0	1	1
211	0	1	0	0	1	0	1	1
212	1	1	0	0	1	0	1	1
213	0	0	1	0	1	0	1	1
214	1	0	1	0	1	0	1	1
215	0	1	1	0	1	0	1	1
216	1	1	1	0	1	0	1	1
217	0	0	0	1	1	0	1	1
218	1	0	0	1	1	0	1	1
219	0	1	0	1	1	0	1	1
220	1	1	0	1	1	0	1	1
221	0	0	1	1	1	0	1	1
222	1	0	1	1	1	0	1	1
223	0	1	1	1	1	0	1	1
224	1	1	1	1	1	0	1	1
225	0	0	0	0	0	1	1	1
226	1	0	0	0	0	1	1	1
227	0	1	0	0	0	1	1	1
228	1	1	0	0	0	1	1	1
229	0	0	1	0	0	1	1	1
230	1	0	1	0	0	1	1	1
231	0	1	1	0	0	1	1	1
232	1	1	1	0	0	1	1	1
233	0	0	0	1	0	1	1	1
234	1	0	0	1	0	1	1	1
235	0	1	0	1	0	1	1	1
236	1	1	0	1	0	1	1	1
237	0	0	1	1	0	1	1	1
238	1	0	1	1	0	1	1	1
239	0	1	1	1	0	1	1	1
240	1	1	1	1	0	1	1	1
241	0	0	0	0	1	1	1	1
242	1	0	0	0	1	1	1	1
243	0	1	0	0	1	1	1	1
244	1	1	0	0	1	1	1	1
245	0	0	1	0	1	1	1	1
246	1	0	1	0	1	1	1	1
247	0	1	1	0	1	1	1	1
248	1	1	1	0	1	1	1	1
249	0	0	0	1	1	1	1	1
250	1	0	0	1	1	1	1	1
251	0	1	0	1	1	1	1	1
252	1	1	0	1	1	1	1	1
253	0	0	1	1	1	1	1	1
254	1	0	1	1	1	1	1	1
255	0	1	1	1	1	1	1	1
256	1	1	1	1	1	1	1	1

