



I-18



UNIVERSAL TIMER (1 Sec. to 3 Min.) With TRIAC

The I-18 circuit is a 230 V AC standard timer with Triac output, no accepting inductive loads, but only resistors loads. The

I-18 circuit is a timer allowing to select time between 1 sec. and 3 min. thanks to its potentiometer inserted in the P.C.B. It could be activated closing its contacts and includes terminals to connect it.

TECHNICAL CHARACTERISTICS.

Voltage.....	230 VAC.
Medium Consumption.....	1 W.
Minimum Time.....	1 Sec.
Maximum Time.....	3 Min.
Minimum Load.....	50 W.
Maximum Load.....	500 W.

OPERATING.

MODULE'S SUPPLYING. The Circuit I-18 had to be supplied by 230 VAC. According to the General Wiring Map to correctly use the circuit we suggest you to insulate the circuit against possible parasites (interferences) inserting a 230 VAC filter at the supply input. Please take note of the Chapter "Filter".

Using an adequate plug and a cable for mains connect this last one to the input terminal 230 VAC. Install a fuse and a switch as it is indicated in General Wiring Map (see hereafter). Both are necessary to protect the module and for your own security, as it is indicated in EEC regulations. Then, verify that you have correctly connected the module.

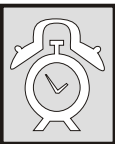
Before to connect the module to the mains inserting voltage, please do the rest of connections specified hereafter.

Don't forget that in several part of the module there is voltage (230 VAC), for this reason we suggest you to be careful.

OPERATING. You could adjust the timer using the potentiometer inserted in the P.C.B. Start the operating test placing it at the minimum, then you could adjust it according to the needed time. Once the time selected, connect a push button to the indicated terminals. You had to install a Quality push button and if the required cable distance is superior than 30 cm, you had to use shielded cable.

OUTPUT. CONNECTION OF THE LOAD. The output Module (I-18) accept resistive loads as lamps, resistors, etc.... Never install inductive loads as neon, transformers, etc...

To connect the output, connect lamp/s or other load to the indicated terminal (see General Wiring Map). Once again, verify that input and output are correctly connected. Press the push button and the circuit will be supplied connecting the output and activating the load.

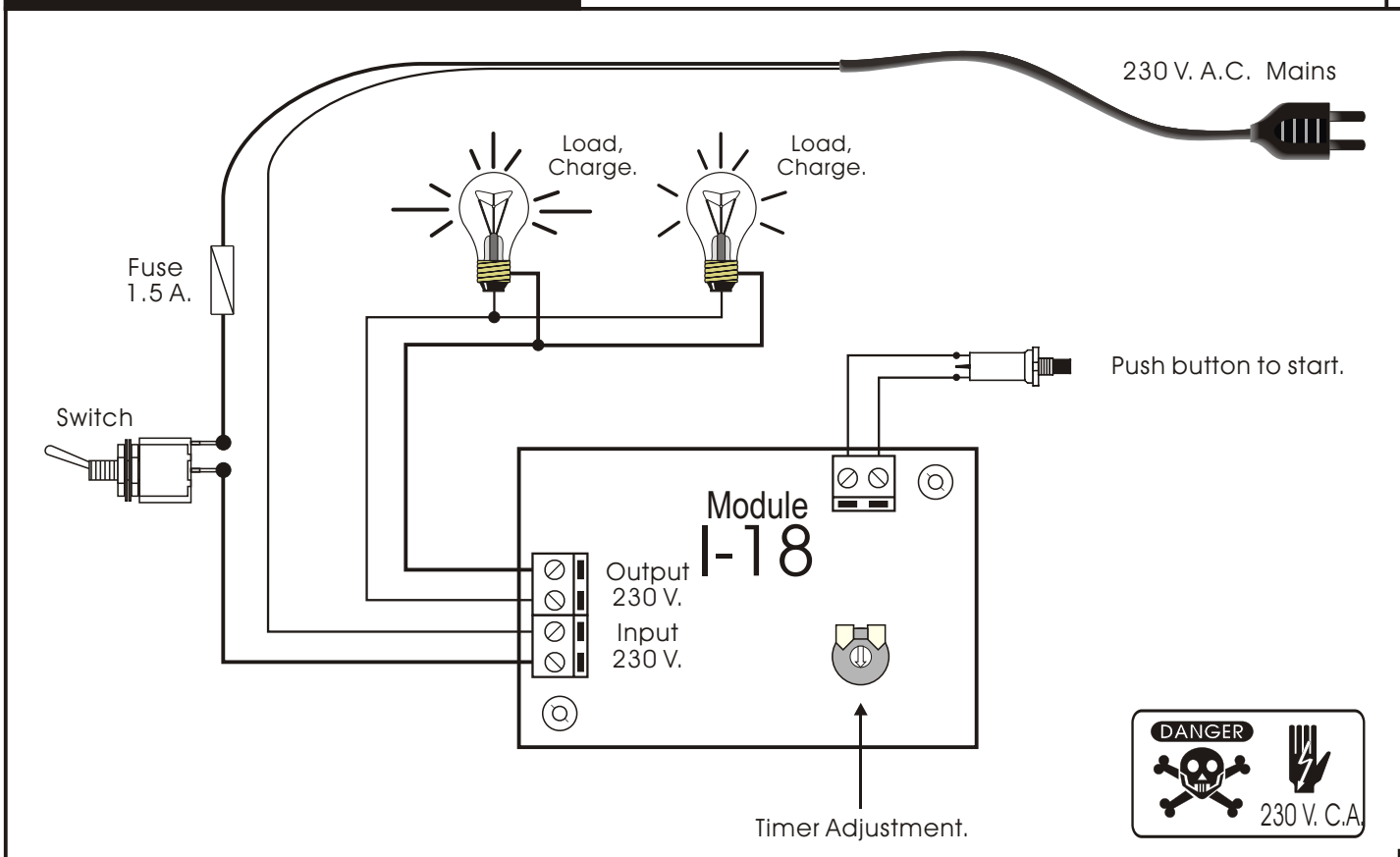


TIMERS.

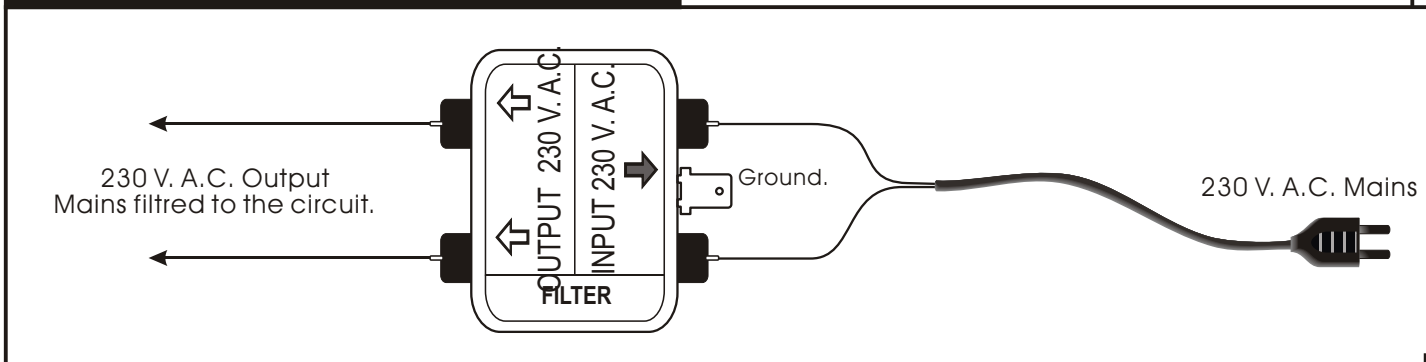
Ref. Full9701_Ang

I-18

CONEXIONADO GENERAL.



HOW TO INSTALL THE FILTER.



TECHNICAL SUPPORT AND INFORMATION.

For any questions or more information:

By Fax. (24h.) +34.3. 432.29.95

By Mail: C/ Quetzal, 17-21, Entlo. 2º (08014) BARCELONA - SPAIN.

By E-Mail: cebek@sakma.es

Keep you invoice. For any repairing could you send this with module. Else, the module will lost the warranty.

**MORE 300
MODULES.**

All the module's CEBEK have **3 years of total warranty** in thechnical repairing, and spares from the date of buy.

CEBEK is trade make of FADISEL S.L. more than 300 module's are available in stock for any purpose **request our CATALOGUE**, or visit our Web.

[Http://www.sakma.com/CEBEK](http://www.sakma.com/CEBEK)

WARRANTY

**3
YEARS**