



I-134



From 2 up to 45 minutes. DELAYING TIMER

The I-134 is a 230 VAC module allowing to delay the output connection. Then, the output will be activated during the operating time.

It could be activated supplying voltage and/or closing its contacts using a push button. It includes a protection against polarity inversion, an indicator operating led, connector for an exterior installation of potentiometer and terminals to connect it.

TECHNICAL CHARACTERISTICS.

Voltage.	230 V. AC.
Medium Consumption.	1 W.
Minimum Timing.	2 minutes.
Maximum Timing.	45 minutes.
Maximum Load at Relay.	5 A.
Operating indicator Led.	yes.

OPERATING.

MODULE'S SUPPLYING. The Circuit I-134 had to be supplied by 230 VAC. Using an adequate plug and a cable for mains connect this last one to the input terminal 230 VAC. Install a fuse and a switch as it is indicated in General Wiring Map (see hereafter). Both are necessary to protect the module and for your own security, as it is indicated in EEC regulations. Then, verify that you have correctly connected the module.

Before to connect the module to the mains inserting voltage, please do the rest of connections specified hereafter.

Don't forget that in several part of the module there is voltage (230 VAC), for this reason we suggest you to be careful.

TIMING. Following indications described in the General Wiring Map, install a push button at the indicated terminal. If the required cable for your assembly is superior than 20 cm, you have to use a shielded cable. Pushing the button, the module will be activated, delaying the operating. Then, operating and stop timing will start until their determinate times. Operating indicator led will light to indicate that output is activated.

Both times, operating and delay are independent and could be adjusted thanks to potentiometers inserted in the P.C.B. Make an operating test placing potentiometers at the minimum, then you could adjust them according to your needs.

OUTPUT. CONNECTION OF THE LOAD. The output Module (I-134) is controlled by a relay, allowing any load until 5 A. as maximum consumption. The relay has 3 output terminals the normally open at quiescent (NA), the normally closed at quiescent (NC) and the common. The operating of this mechanism is the same as a switch with two (2) terminals NA and common, if you wish that the output will be activated during the operating time, or between the NC and the common to obtain the reverse operating.

In the Output connection paragraph, you could appreciate the typical connection for a devices operating at 12 VDC and to operate at 230 VAC.

The installation is between the Common and NA, where the device or load that you wish to control will be activated during the operating time.

To obtain the inverse operating, substitute in the connection the NA by the NC.

START SUPPLYING VOLTAGE. The module could be started closing its contacts using a push button (as deliver from our factory) or supplying voltage. To activated the I-134 module supplying voltage you had to make a short-circuit (join together) two pins of the piece or jumper J3, indicated in General Wiring Map and Circuit. When this operation has been done, each time you connect the module's power supply it will be activated, without pushing the button.



TIMERS

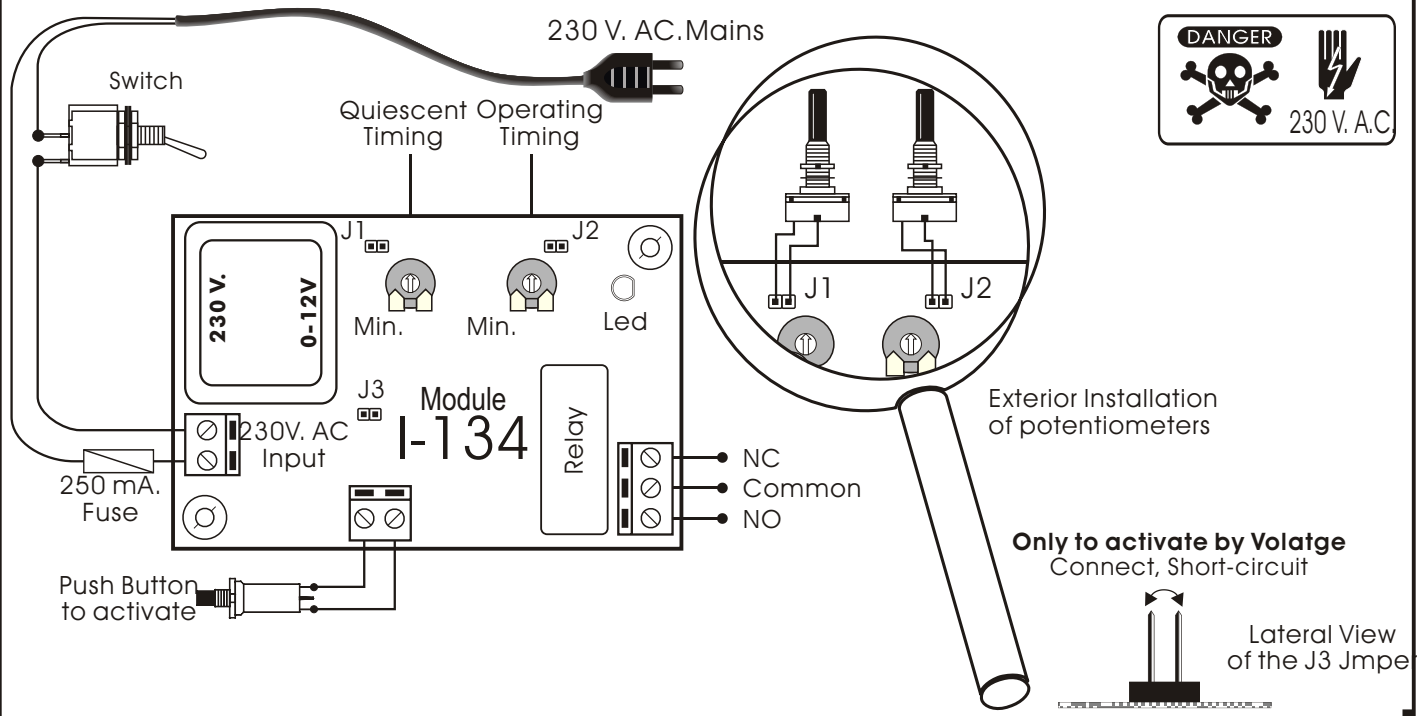
Ref. Full28961134

I-134

OPERATING.

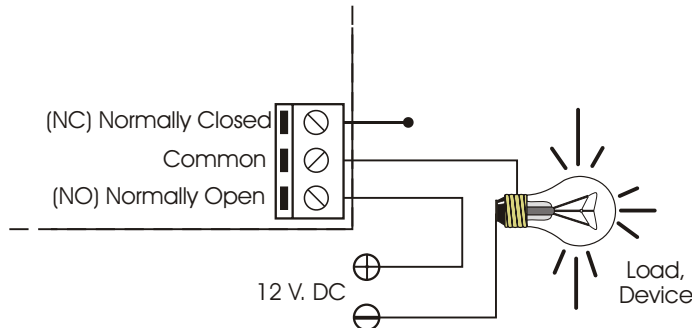
EXTERIOR INSTALLATION OF THE POTENTIOMETER. If you wish to substitute the potentiometer inserted in the P.C.B, you had to withdraw the soldering. Then, connect cables between jumpers indicated as "J1" and "J2" and new potentiometers. These last potentiometers have to be lineal and offering 4M7. The cable has to be inferior than 30 cm.

GENERAL WIRING MAP.

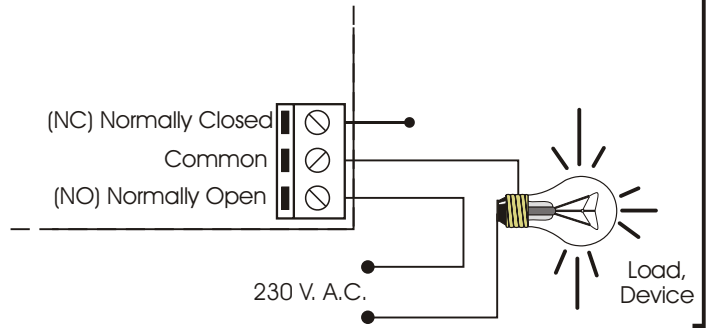


OUTPUT CONNECTION. LOAD.

12 V. DC. CONNECTION



230 V. AC. CONNECTION



TECHNICAL CONSULTATIONS.

If you have any doubt, you could contact your wholesaler or our Technical Department.
 - Via E-Mail, sat@cebek.com | by mail P.O Box 23455 - 08080 BARCELONA - SPAIN.
 - **Keep the invoice of this module.** For any repair, the corresponding invoice had to be added. If the invoice is not presented together with this module, the module's warranty will be automatically cancelled.

**MORE 300
MODULES.**

All the module's CEBEK have **3 years of total warranty** in thechnical

CEBEK is trade make of FADISEL S.L. more than 300 module's are available in stock for any purpose **request our CATALOGUE**, or visit our Web. [Http://www.cebek.com](http://www.cebek.com)

WARRANTY

**3
YEARS**